

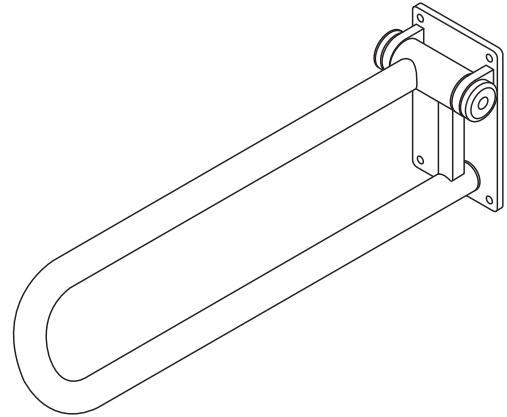
P.T.Rail™ Hinged

Toilet Support Rail

Technical Data Sheet

Product Specification

The fold up grab rail shall have a 2.0"/5.1 cm horizontal offset rail design. The product shall have a tension hinge that will hold the product in any position. The grab rail portion of the product shall be 1.5"/3.8 cm in diameter. The wall bracket of the product shall be a 0.25"/0.6 cm thick plate. The product shall be 28"/71.1 cm in length if using PT-WR28 or 32"/81.3 cm in length if using PT-WR32. The product shall have a weight capacity of 400 lbs/181 kg. The grab rail shall be HealthCraft Products model PT-WR____ (see table below for appropriate product code).



Key Features

- Horizontal Offset Rails
- Tension Hinge to Hold the Product in Any Position
- Solid Construction and Mounting
- 400lbs / 181kg Weight Capacity

Codes and Standards

- ADA Compliant Structural Strength (ADAAG 4.26.3)
- ADA Compliant Rail Diameter

Specified Model

Model	Rail Length	Rail Offset	Rail Finish	Rail Material
PT-WR28L-CRP	28" / 71cm	Left	Chrome Plate	Steel
PT-WR28R-CRP	28" / 71cm	Right		
PT-WR32L-CRP	32" / 79cm	Left		
PT-WR32R-CRP	32" / 79cm	Right		
PT-WR28L-PCW	28" / 71cm	Left	Powder Coat White	Steel
PT-WR28R-PCW	28" / 71cm	Right		
PT-WR32L-PCW	32" / 79cm	Left		
PT-WR32R-PCW	32" / 79cm	Right		
PT-WR28L-SS	28" / 71cm	Left	Stainless Steel	Stainless Steel
PT-WR28R-SS	28" / 71cm	Right		
PT-WR32L-SS	32" / 79cm	Left		
PT-WR32R-SS	32" / 79cm	Right		

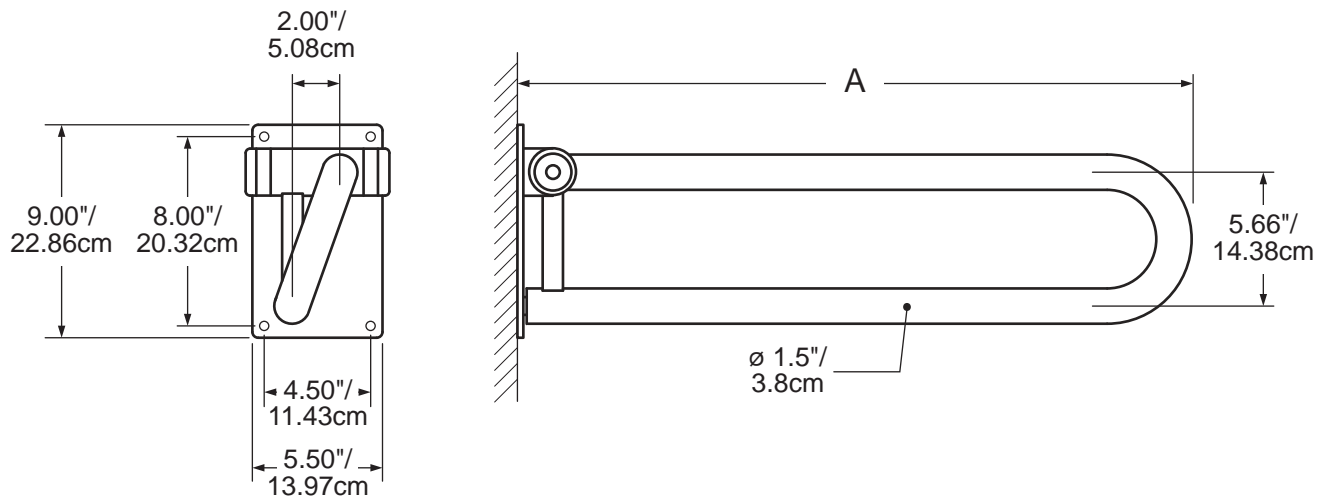
P.T.Rail™ Hinged

Toilet Support Rail

Technical Data Sheet

Product Dimensions

Model	A	Weight (-PCW / -CRP / -PCP)	Weight (-SS)
PT-WR28	28" / 71.1cm	15lbs / 6.8kg	11lbs / 5.0kg
PT-WR32	32" / 81.3cm		



Shipping Dimensions

Model	Height (H)	Width (W)	Depth (D)	Weight (-PCW / -CRP / -PCP)	Weight (SS)
PT-WR28	6" / 15.2cm	33" / 83.8cm	9" / 22.9cm	16lbs / 7.3kg	12lbs / 5.4kg
PT-WR32					

