

## Uni-Fit™ Height Extender for SuperPole™

CONTINUING PRODUCT EDUCATION SERIES

HealthCraft™

### PRODUCT DESCRIPTION

The Uni-Fit™ is a telescopic extension system for installing the SuperPole System in applications where the ceiling height is more the standard range of 93" to 100" (233-250cm).

It increases the floor to ceiling height range of the SuperPole from 100" to 121" (250-302cm).

Installs by telescopically sliding over the top end of the SuperPole, with a locking pin being inserted through one of the five available holes corresponding to the needed installation height. The top end of the tube is secured to the ceiling anchor plate with a second locking pin.

### FEATURES

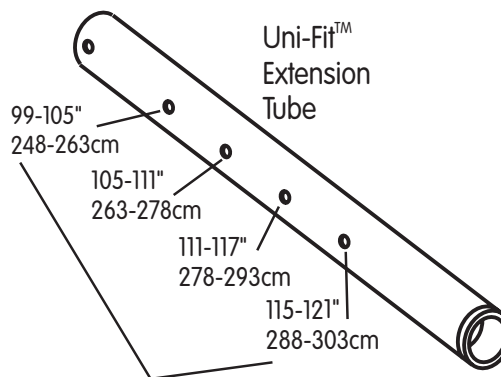
- Telescopic Sleeve Design
- Multiple Height Range
- All Steel Construction
- Powder Coated
- Clean Appearance
- Bottom sleeve liner for smooth fit



**ATTENTION:** Will not work with SuperTrapeze, requires placement at same height.

### BENEFITS

- **Easy to Install** - Simply select the correct range, and insert pins.
- **Inventory Control** - One stock item can address most custom ceiling heights.
- **Installation Flexibility** - Have your installation staff bring one along whenever ceiling height is in doubt.
- **Portability** - Allows existing SuperPole owners to easily relocate their poles if moving to new location with higher ceiling.



### Available Locally From:

**NOTE TO DEALER:** Place your company information within this space and fax out to your key local sales influencers - O.T.'s, P.T.'s, Visiting Nurses, etc. Use an eye catching offer such as "call for an in-service" "drop by our showroom to try it" "mention this ad for discount".

The best addition to any sales team, "HealthCraft's Transfer Safety Showroom Display Pavilion". It will never need a vacation or sick day, it's working for you 365 days a year. Ask for details...