

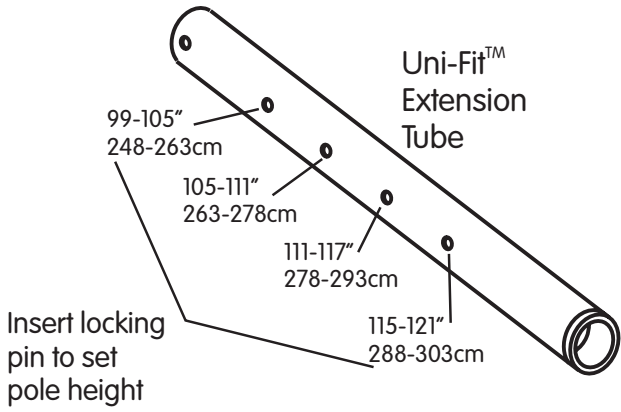
**IMPORTANT** - install two nylon washers, one on each side of locking pins - **SECURE WITH COTTER PIN**

*Prior to commencing installation, measure the floor to ceiling height and record. Read and understand these instructions, unpack your SuperPole, and read and understand the installation instructions for the SuperPole prior to commencing.*

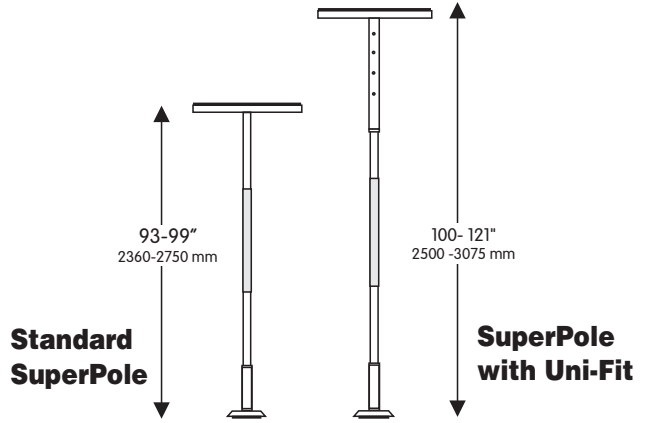
1. Insert top end of Uni-fit onto stub of ceiling anchor plate
2. Insert locking pin including one nylon washer on each side of tube to secure top end of Uni-fit to anchor plate.
3. Insert cotter pin through hole in end of locking pin.
4. Insert top end of Superpole into bottom end of Uni-Fit and slide up until the top hole of the SuperPole lines up with the appropriate height adjustment hole on the Uni-Fit (refer to chart below)
5. Insert locking pin ensuring that it goes through the pole holes. Include one nylon washer on each side of the tube.
6. Insert cotter pin through hole in end of locking pin

Install SuperPole assembly following SuperPole installation instructions.

**LOCKING PIN HOLE CEILING HEIGHT RANGE**



**UNI-FIT IN USE**



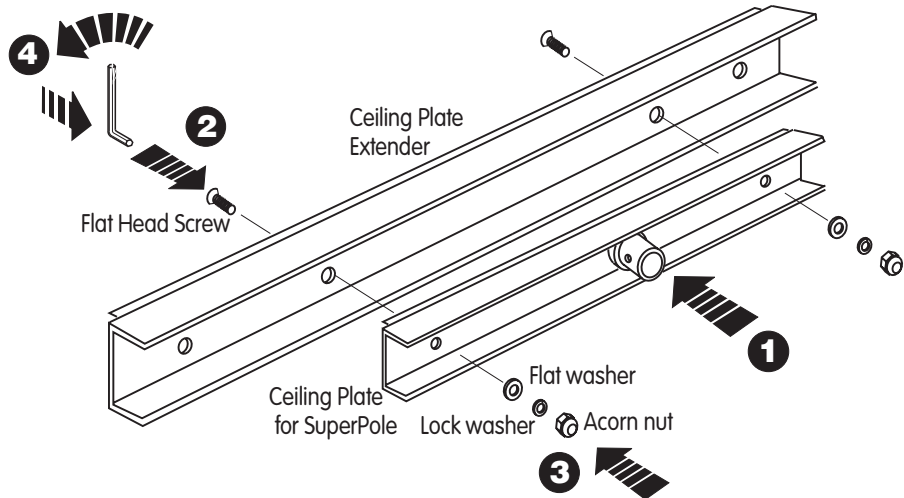
The ceiling plate extender is added to the standard SuperPole ceiling plate to increase its span from 20" to 30". It may be used in cases where the SuperPole is expected to be subjected to more aggressive use, or where ceiling structural beams have increased spacing (such as 24" between centers).



**CAUTION: RISK OF INJURY** - Prior to commencing installation, read and understand these instructions and the installation instructions for the SuperPole. The ceiling plate extender should be installed prior to installation of the SuperPole. It should be secured to the ceiling using the outer set of holes with appropriate fasteners for the ceiling material.

## **A** Fasten Ceiling Plate to Extender Plate

1. Place ceiling plate (supplied with your SuperPole) such that it nests inside the ceiling plate extender. Position it such that the mounting holes line up with the middle two holes of the extender plate.
2. Insert the flat head screw through the extender plate holes that line up with the ceiling plate holes.
3. Install the flat washer, lock washer, and acorn nut on the end of the flat head screw protruding through the ceiling plate.
4. Using the supplied hex key, tighten the screw firmly



## **B** Completed Ceiling Plate Assembly

Once both screws are installed and tightened, the ceiling plate assembly is now complete -

REFER TO SUPERPOLE  
INSTALLATION INSTRUCTIONS TO  
COMPLETE THE INSTALLATION OF  
YOUR SUPERPOLE

