

CAUTION

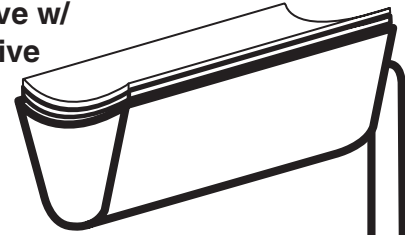
RISK OF INJURY!

Prior to installing the P.T.Rail Toilet Roll Holder™, we strongly recommend that you first read through the P.T.Rail™ instructions. It is your responsibility to see that your P.T.Rail Toilet Roll Holder™ is properly assembled, installed, operated, and cared for. Toilet Roll Holder™ should not be used to hold anything other than toilet paper. Prior to installation, clean surface of rail. Apply at room temperature.

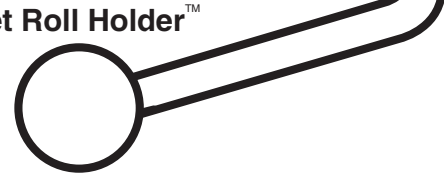
NOTE: DO NOT USE TOILET ROLL HOLDER™ AS A WEIGHT BEARING SURFACE. FAILURE TO FOLLOW THESE INSTRUCTIONS MAY RESULT IN INJURY.

Parts Diagram

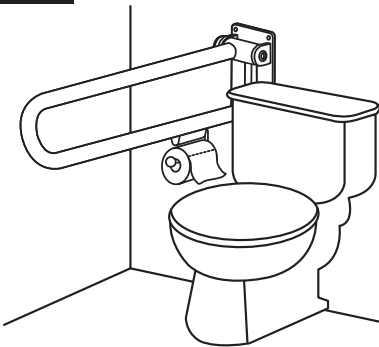
Adhesive w/
Protective
Strip



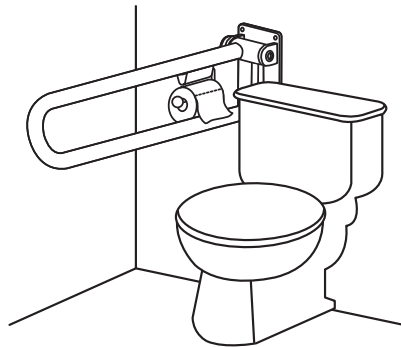
Toilet Roll Holder™



A Preparing for Installation



Installation
Bottom Rail

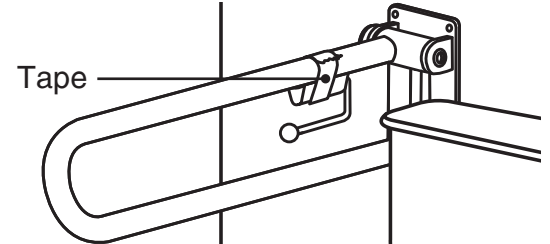


Installation
Top Rail

Determine where Toilet Roll Holder™ will be installed (top or bottom rail). Make sure the surface of the P.T.Rail™ is clean prior to installation.

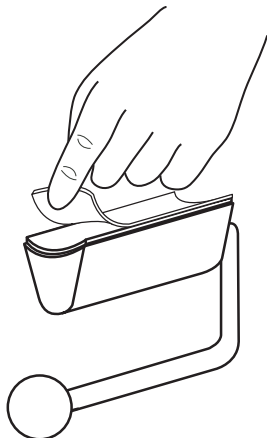
B Verify Position

NOTE: BEFORE REMOVING PROTECTIVE STRIP FROM ADHESIVE, USE TAPE OR STRING TO TEMPORARILY TEST INSTALL THE TOILET ROLL HOLDER™ ONTO THE P.T.RAIL™.



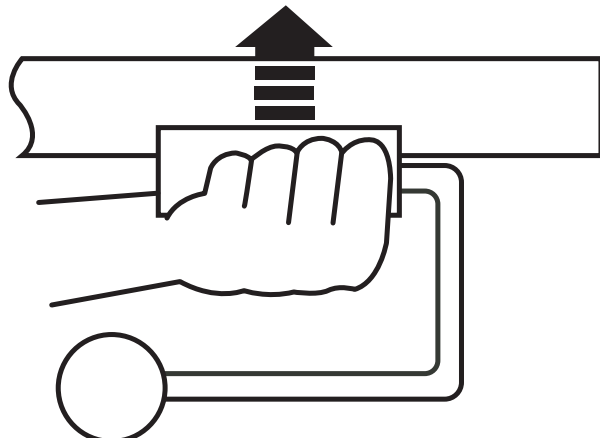
CHECK THAT THE TOILET ROLL HOLDER™ IS ACCESSIBLE TO THE CLIENT, BUT DOES NOT INTERFERE WITH GRIPPING DURING STANDING OR TRANSFERRING!

C Remove Strip



When position is determined, remove protective strip to expose adhesive.

D Install Toilet Roll Holder™



Position and place Toilet Roll Holder™ under the rail. Apply pressure to activate adhesive. Allow 24 hours for adhesive to set fully.