

HealthCraft™

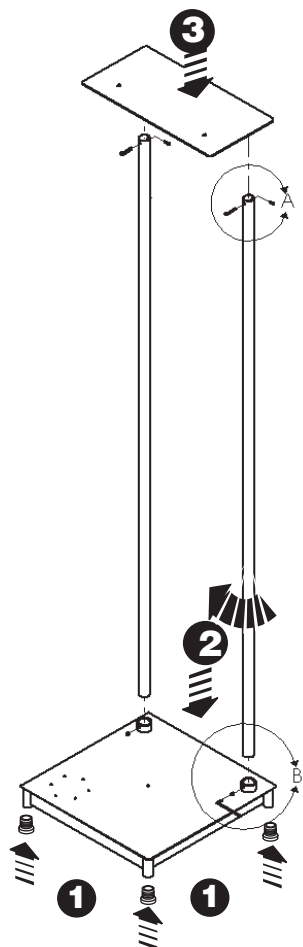
"Transfer Safety Pavillion" with Poster

High Visibility Retail Display System

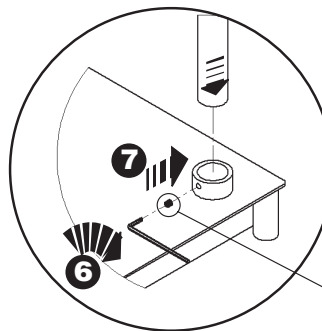
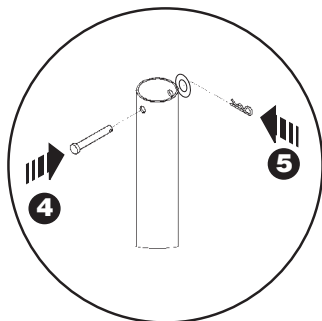
"Innovative Products for Independent Living"

ASSEMBLY INSTRUCTIONS

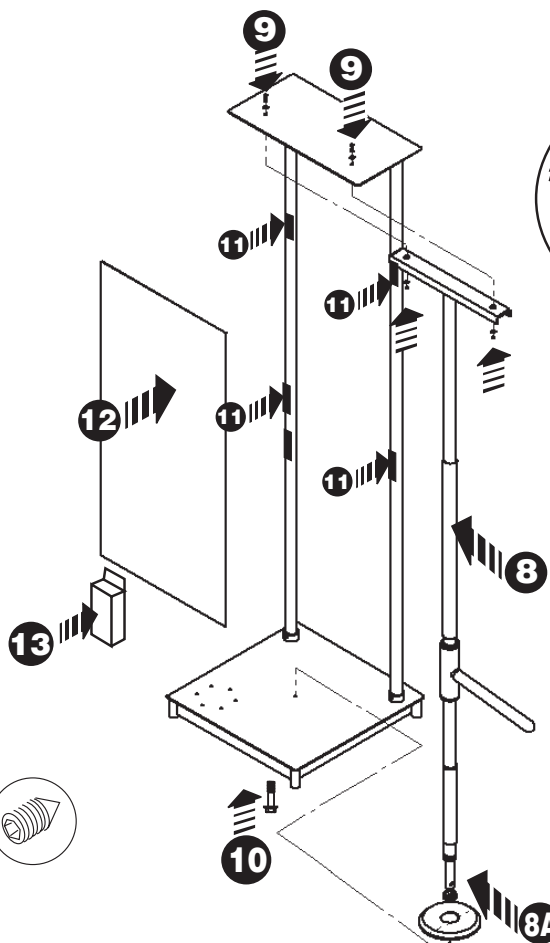
Model MK-PAV



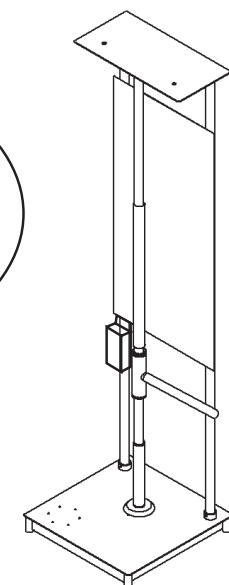
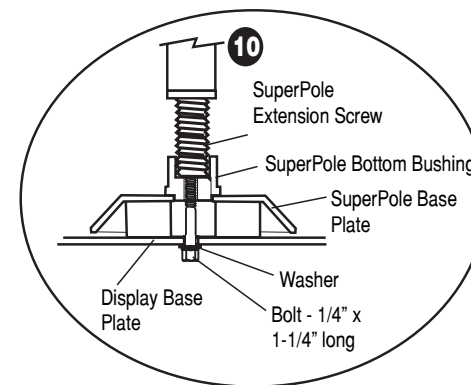
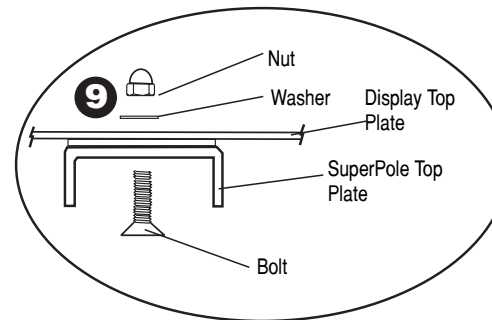
1. Install plastic feet in corner tubes of base
- 2 - Insert bottom end of support poles into receptacles of base until they touch the floor. **Do not install fasteners yet.**
3. Place top piece such that stems fit into top end of support poles. - ROTATE support tubes so that cross hole in support tube lines up with cross hole in stems



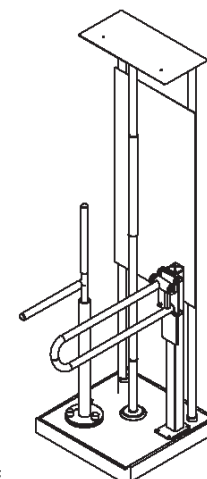
4. Insert clevis pin to pass through cross hole of support pole and top plate stem (for both support poles)
5. Insert hitch pin through cross hole in end of each clevis pin to retain clevis pin.
6. Install set screws in base receptacle to retain support poles. Install four set screws total - one in the top of each receptacle, and one in the bottom (under the deck) of each receptacle.
7. Tighten set screws to firm up the support poles using supplied hex key



8. Assemble SuperPole with SuperBar in accordance with its instruction set. (Ensure to use specially marked shortened SuperPole (Parts 3,6)) Place the SuperPole circular base plate, and base socket (8A) at the center of the display base, positioned over the central hole.
9. Install the fasteners to hold the SuperPole ceiling plate as detailed
- 10 Install the fastener (bolt and washer) to fix the base of the SuperPole as detailed.
11. Locate six of the double sided adhesive pads from the parts pack. Remove one side of the protective covering and install on the front surface of each support pole with the top of the adhesive pieces at 77", and 32" from the top surface of the display base (to match up with corners of poster).
12. Remove the peel and stick covering from all six adhesive pads installed in step 11 and fix the poster to the adhesive pads to hold it in place.
13. Install two adhesive pads on the brochure pocket (center) and install it on one of the support poles.



Completed Display with SuperPole and SuperBar and Brochure Pocket



Display Pavillion with optional Advantage Rail Portable and PT Rail/Mast installed on provided holes.



"Innovative Products for Independent Living"

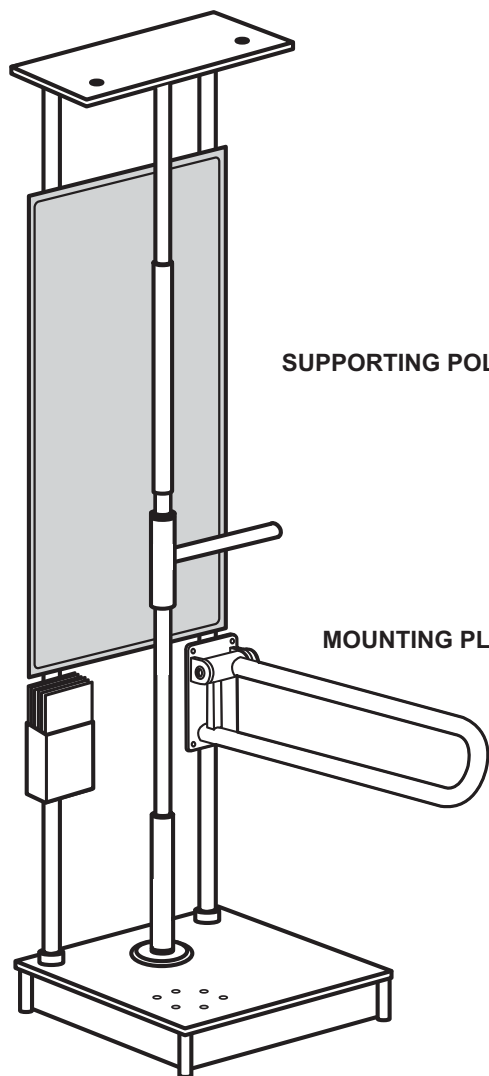
P.T.Rail™ Mount Plate for "Transfer Safety Pavillion"™

High Visibility Retail Display System

ASSEMBLY INSTRUCTIONS

Models: PAV-PTRAIL

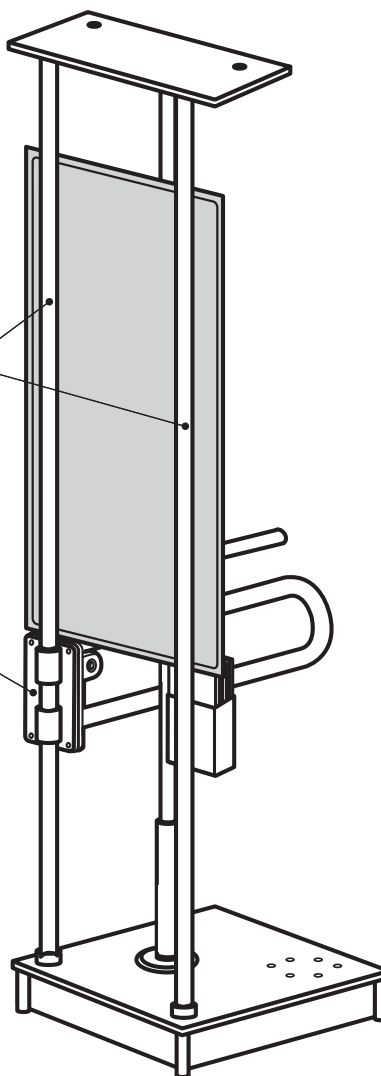
Front View



SUPPORTING POLE (x2)

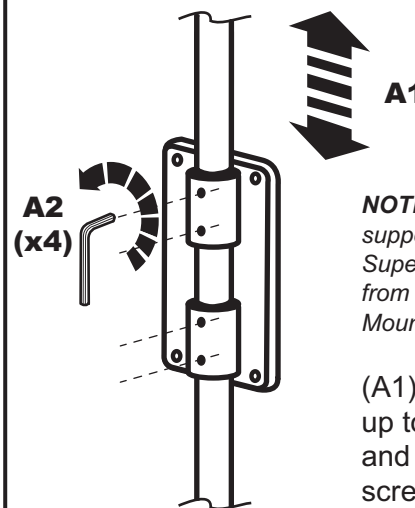
MOUNTING PLATE

Back View



PARTS: Mounting Plate (1), Set Screws (x4), Bolts (x4), Washers (x4), Nuts (x4).

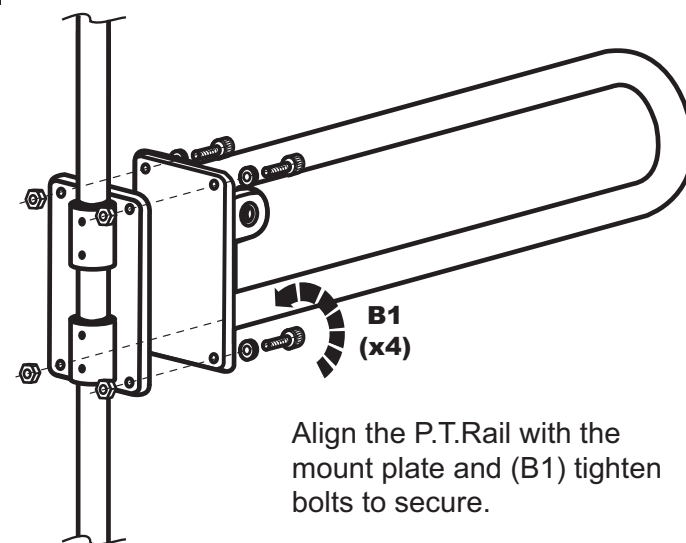
A Install Mount Plate on Pole



NOTE: To be installed on one of the supporting poles (i.e. not on display SuperPole™). Remove display base from supporting poles for P.T.Rail™ Mount Plate installation.

(A1) Slide mount plate up to appropriate height and (A2) tighten set screws to secure.

B Install P.T.Rail™



Align the P.T.Rail with the mount plate and (B1) tighten bolts to secure.