

Horizontal & Parallel Bar System™

INSTALLATION INSTRUCTIONS

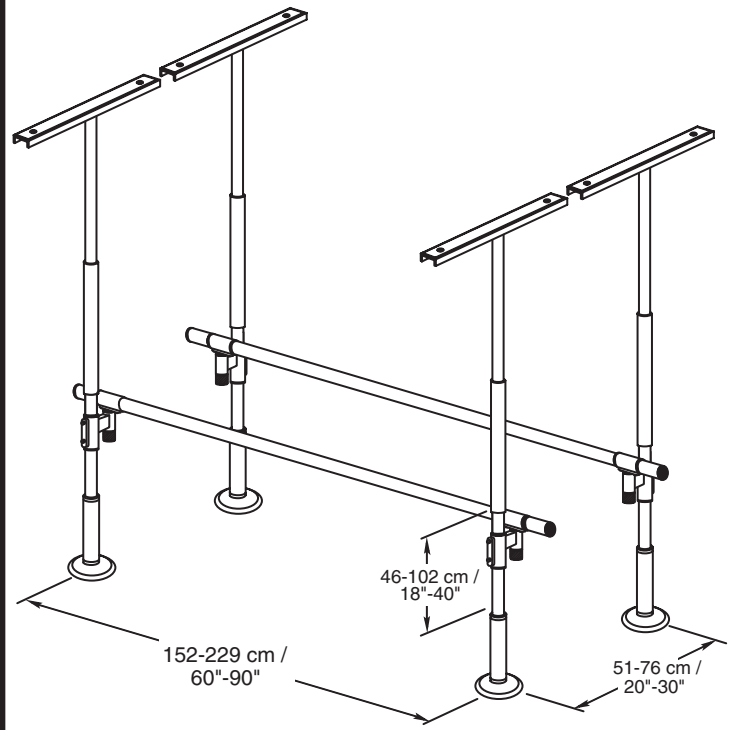
Models:
 SP-HR1, SP-HR2,
 SP-PB2-4P, SP-HR1-2P,
 SP-PB2-4FM

CAUTION RISK OF INJURY!

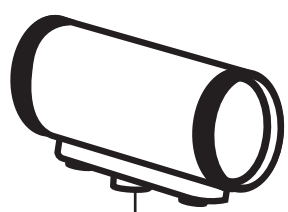
Prior to installing the Horizontal & Parallel Bar System™, we strongly recommend that you first read through the SuperPole System™ instructions. It is your responsibility to see that your Horizontal & Parallel Bar System™ is properly assembled, installed, operated, and cared for. Failure to follow these instructions could result in injury. We would also recommend that you set aside a space on the floor or a table to prepare the SuperPoles™ prior to raising them for final installation. Rail Holder Sleeves and Rail Support Brackets were designed to fit **exclusively** on HealthCraft's SuperPole System™.

NOTE: The Rail Holder Sleeves and the Rail Support Brackets are secured to the poles with set screws. Make sure the set screws are tightened and checked frequently. Ensure the poles are clean and free of oils prior to installation. Inspect the Horizontal & Parallel Bar Systems™ regularly, including set screws, knurled knobs, and jackscrew (on the SuperPoles™). Maximum suggested user weight of 350 lbs/159kg.

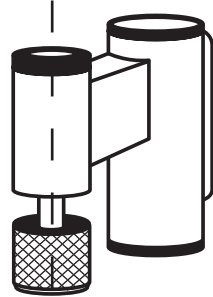
Typical Setup Dimensions



Parts Diagram



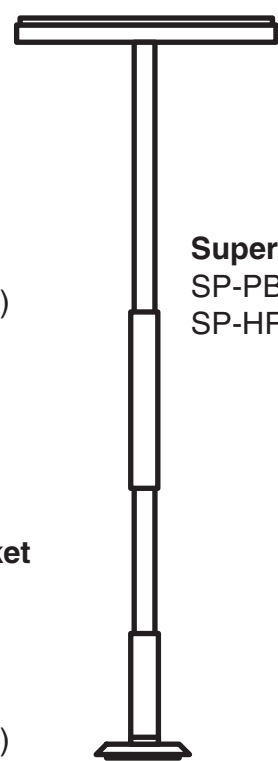
Rail Holder Sleeve
 SP-HR1 (Qty 2)
 SP-HR2 (Qty 4)
 SP-PB2-4P (Qty 4)
 SP-HR1-2P (Qty 2)
 SP-PB2-4FM (Qty 4)



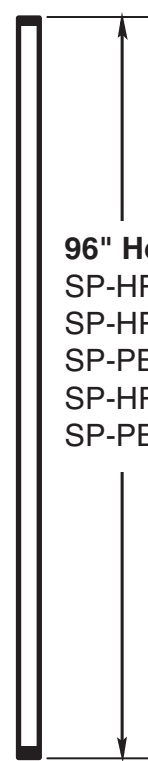
Rail Support Bracket
 SP-HR1 (Qty 2)
 SP-HR2 (Qty 4)
 SP-PB2-4P (Qty 4)
 SP-HR1-2P (Qty 2)
 SP-PB2-4FM (Qty 4)



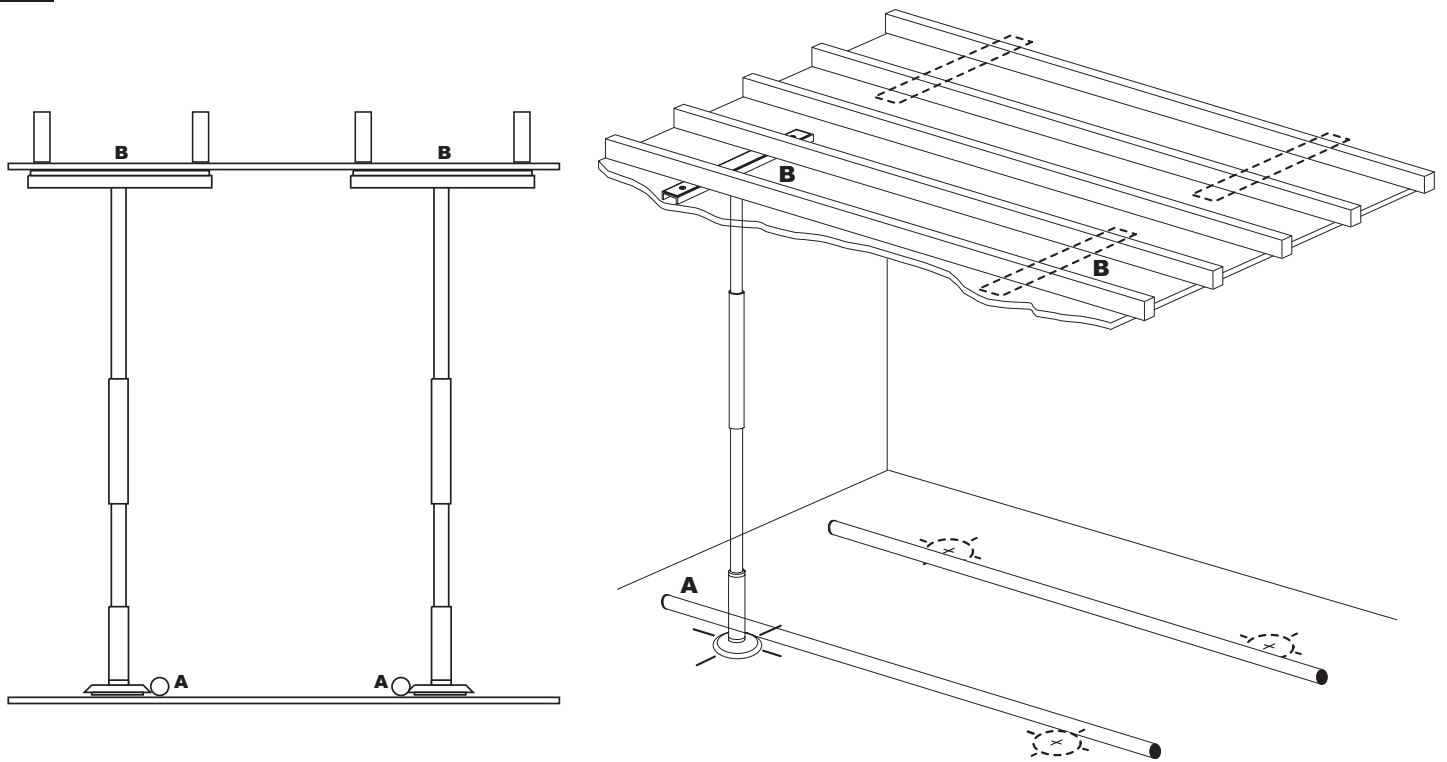
Hex Key



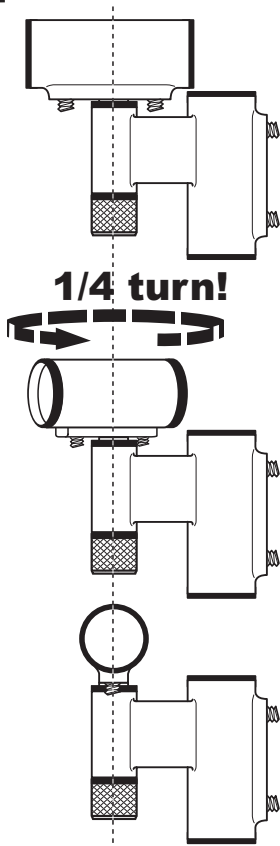
SuperPole™ System
 SP-PB2-4P (Qty 4)
 SP-HR1-2P (Qty 2)



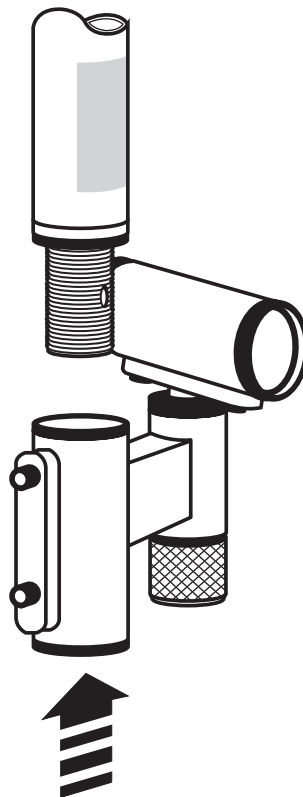
96" Horizontal Rail
 SP-HR1 (Qty 1)
 SP-HR2 (Qty 2)
 SP-PB2-4P (Qty 2)
 SP-HR1-2P (Qty 2)
 SP-PB2-4FM (Qty 2)

A**Preparing Installation**

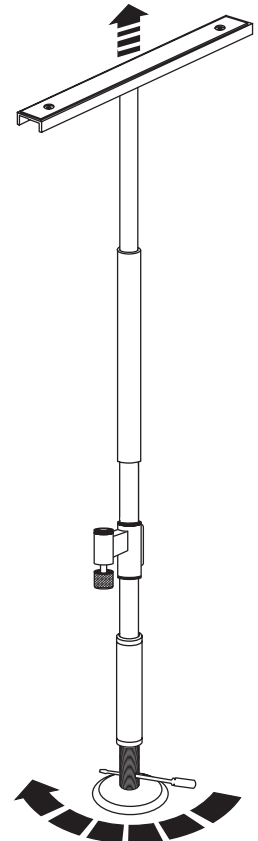
Lay (A) horizontal rail(s) on floor to plan location. Confirm (B) SuperPoles™ can be installed (check floor & ceiling). Read SuperPole™ instructions for additional installation information.

B**Loosen Support Bracket**

Holding the rail support bracket, turn the rail holder sleeve 90° to loosen.

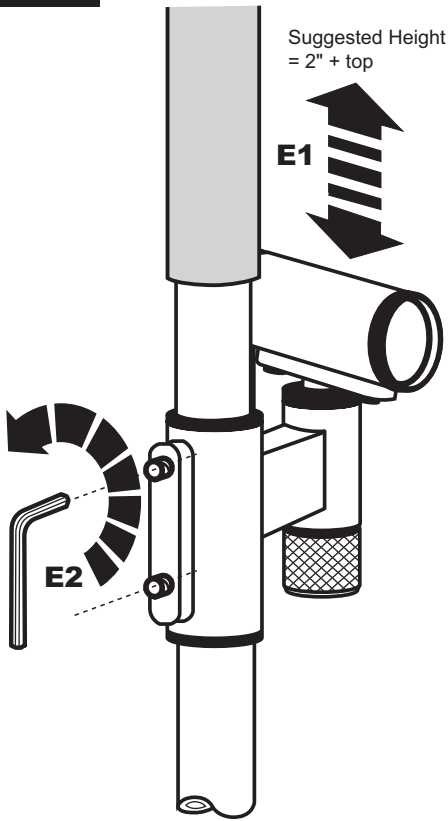
C**Install Support Bracket**

With cover sleeve removed, slide support bracket up SuperPole™.

D**Install SuperPoles™**

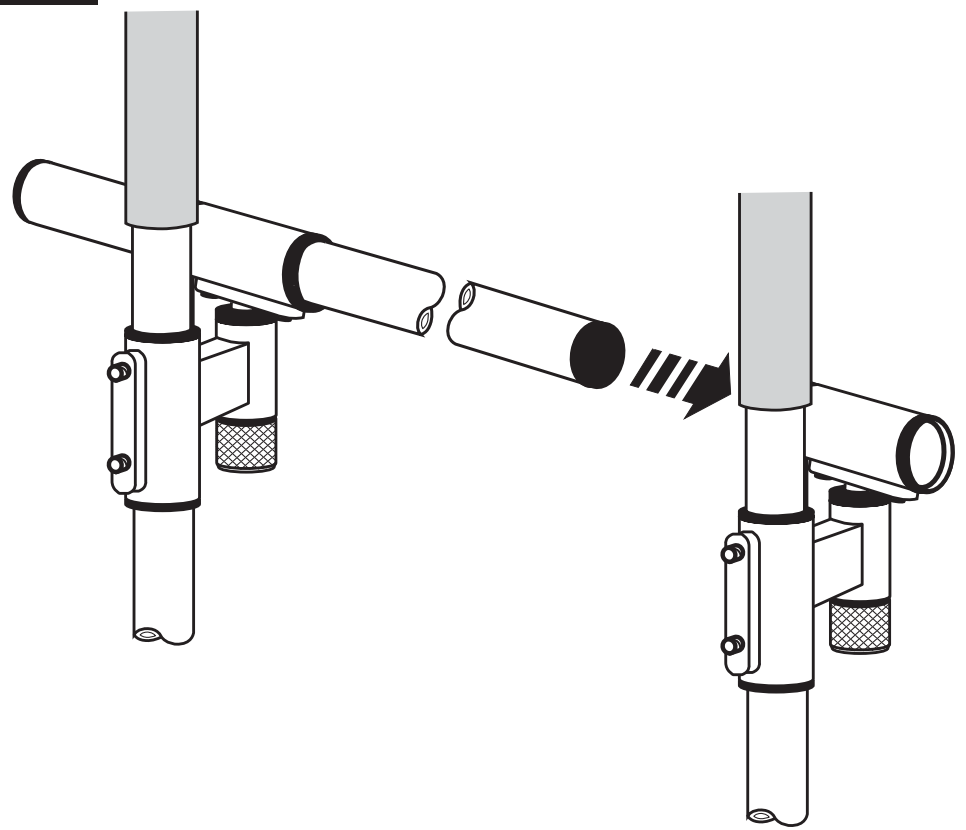
Set-up SuperPoles™ (Instructions included) according to location plan.

E Set Height and Tighten



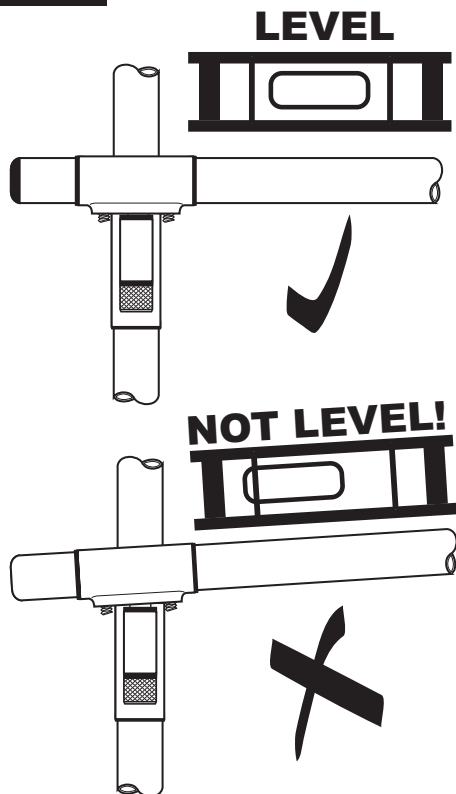
(E1) Set support rail height and
(E2) tighten set screw.

F Install Rail Holder Sleeves



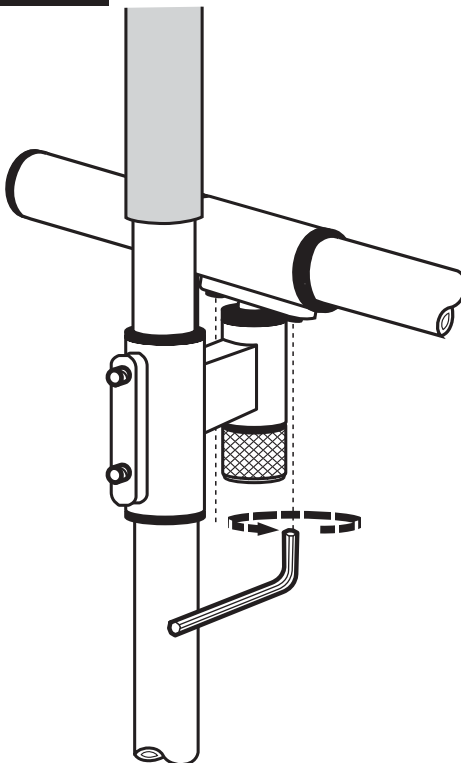
Slide the horizontal rail through each of the rail sleeves.

G Level Horizontal Rail



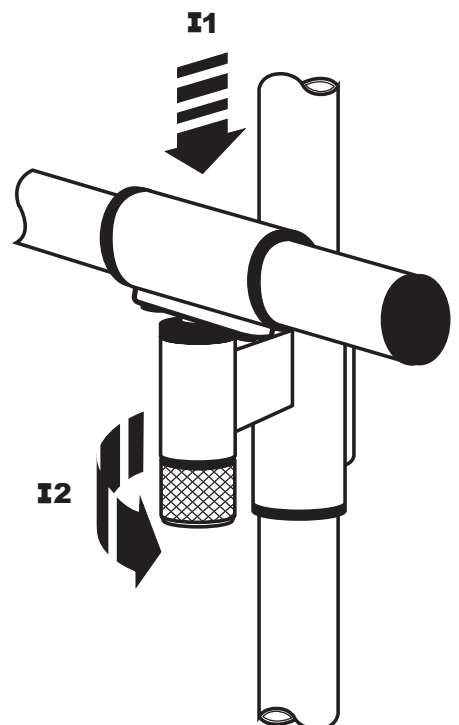
Do not attempt to secure a horizontal rail when it is not level. Reposition the support bracket and tighten when rail is level.

H Secure Rail Sleeve



Tighten the set screws on the underside of the rail sleeve to secure the horizontal rail.

I Tighten Knurled Knob



(I1) Holding the rail holder sleeve down
(I2) Turn knurled knob until tightened.