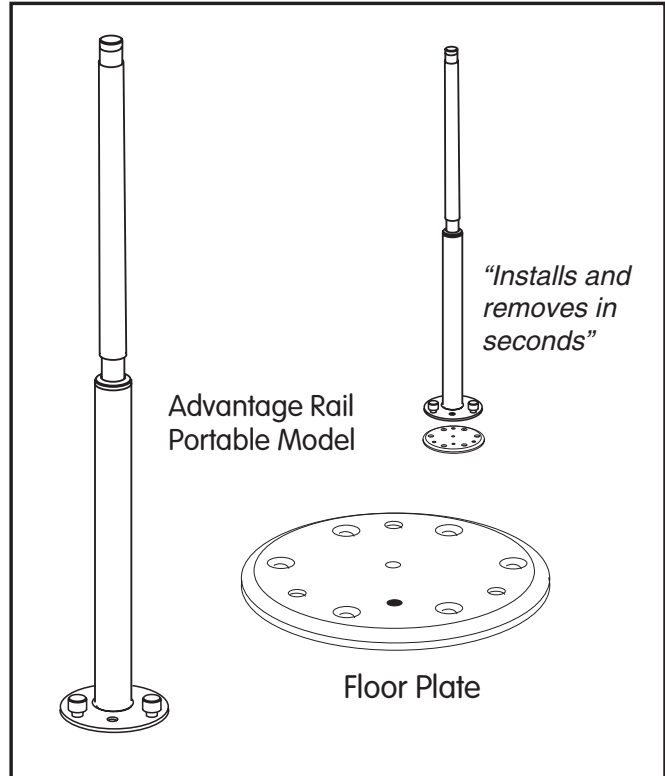


**PORTABLE**

**CAUTION**  
RISK OF INJURY!

Read & understand these instructions prior to using product. It is your responsibility to see that your Advantage-Pole<sup>TM</sup> is properly assembled, installed, operated, and cared for. Failure to follow these instructions could result in injury.

The Advantage-Pole<sup>TM</sup> should only be installed in areas where the floor is structurally sound. If you are not equipped to undertake the outlined work we recommend that you have your Advantage-Pole<sup>TM</sup> installed by a qualified contractor. Floor plate(s) must be secured to floor with fasteners appropriate to the floor material - fasteners must be rated for at least 400lbs/188kg retention force each (see within for recommendations). Floor mount fasteners should be inspected monthly and tightened if necessary. Maximum suggested user weight of 350 lbs/159kg.

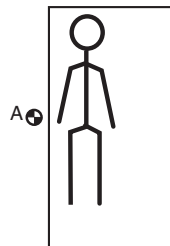


**Installation Notes**

We strongly recommend that you give thought as to the optimal location of your Advantage-Pole<sup>TM</sup> before installation. HINT - the following questions may help you to decide upon a location:

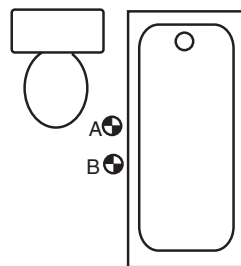
- What motions will you be going through? (pulling up to standing, lowering to sitting, transferring from chair to toilet, etc.)
- What is your strongest side/hand?
- What is your complete transfer path? Will the location allow for full support over most of your path of motion?
- Will the pole be far enough away to allow you to stand comfortably?
- Does the Advantage-Pole<sup>TM</sup> line up with an appropriate location of the floor in the proposed location (i.e. on floor joist, on tile grout joint, etc)
- Given a choice, is there a location that the floor plate would be in a lower traffic area?

**Location Suggestions...**



**Bed**

Locate unit adjacent to hip/belt line and as close to bed as possible while allowing clearance for bed coverings. Note that the orientation of the floor plate will set the location of the sight hole for the floor plate. - Plan the best location for your convenience.



**Bathtub and/or Toilet**

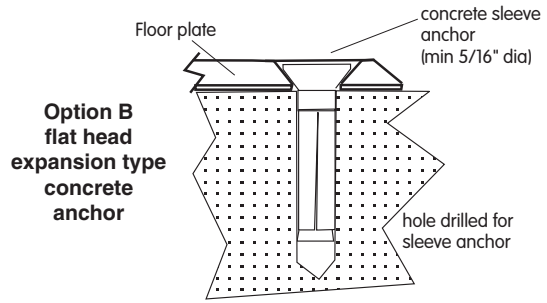
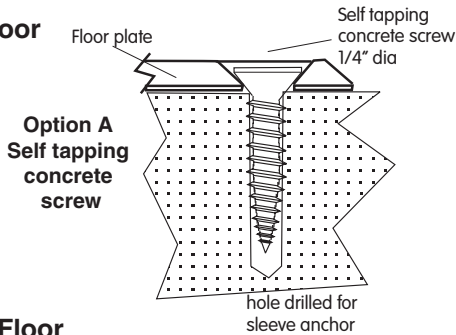
**Toilet** - suggested to locate unit between three to ten inches forward of the knees and two to six inches to side of knees when seated. **Bathtub only** - locate base against tub, approximately half way along its length.

# Fastener Recommendations & Installation Notes

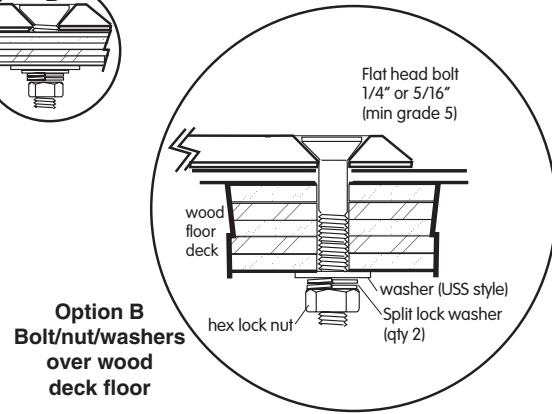
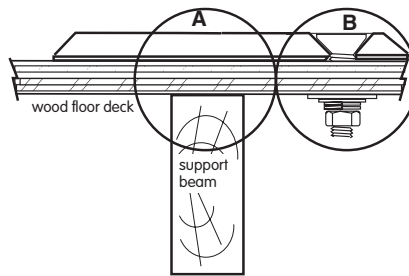
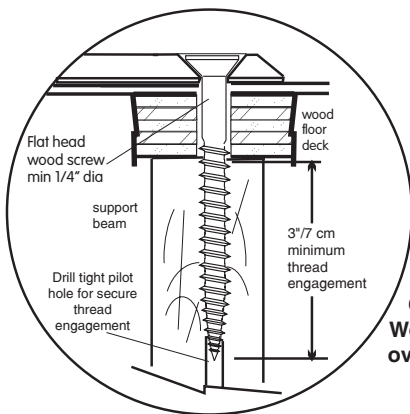
## Floor Fasteners

**IMPORTANT** - Fasteners used for securing the floor plate(s) to the floor require an installed retention force rating of at least 400 lbs / 188 kg each and must be "flat head" (countersunk) type. Screw heads should be firmly installed so as not to protrude above the top surface of the floor plate. For installation on concrete floors, a 1/4" self tapping fastener with flat (countersunk) head is recommended (sugg. ITW™ TAPCON™ / UCAN™ SCRU-IT™). Follow manufacturers recommendations for proper installation and ensure that the concrete is in suitable condition. For wood deck type floors, a bolt/nut/washers combination is recommended with 1/4" diameter, min. grade 5 flat (countersunk) type bolt. If a wood floor support beam is present, you may install a 1/4" diameter wood screw in those hole locations over the beam, ensuring at least a 3"/7cm thread engagement, and suitable condition of the wood beam to provide a retention force of at least 400 lbs (188kg)

### Concrete Floor Installation

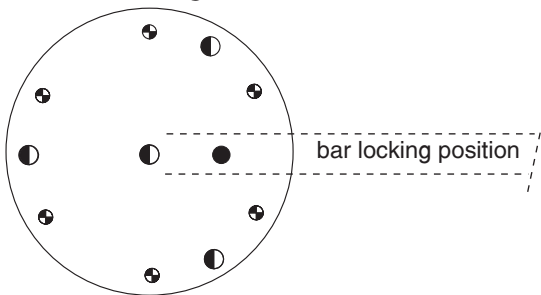


### Wood Deck Floor Installation

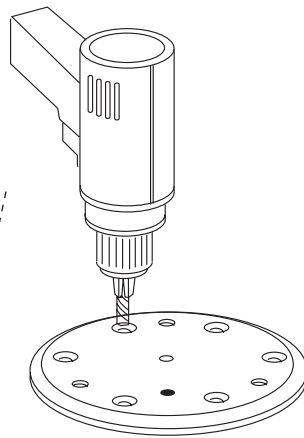


## Installation Notes

### Floor Drilling Guide

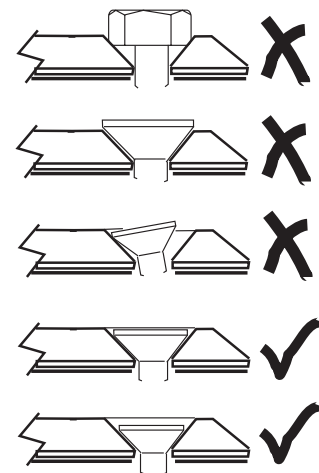


- Alignment mark also indicates bar locking position
- ⊕ Drill hole for fastener
- ⊙ Option: drill 1/2" dia by 1/2" deep hole for debris accumulation



Use floor plate as drilling guide to ensure hole location accuracy

Ensure that heads of fasteners do not protrude above floor plate top surface



# Assembly of Advantage Pole Portable Unit

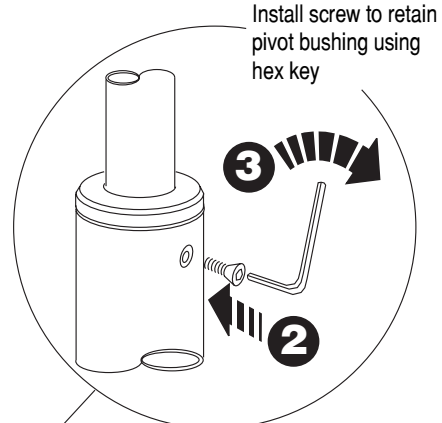
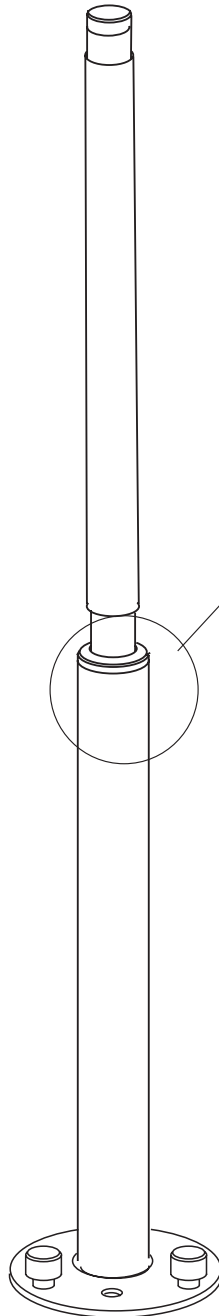
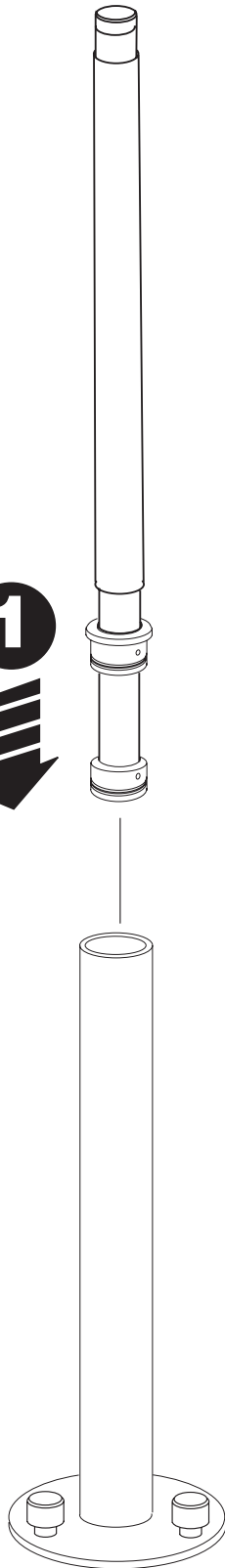


**CAUTION**  
RISK OF INJURY!

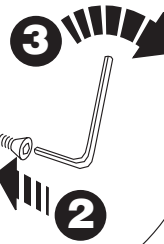
*\*\* First read complete instructions for ideas on locating rail, installing floor plate, fasteners to use, and caution notes.*



Install pole top assembly complete with bushings

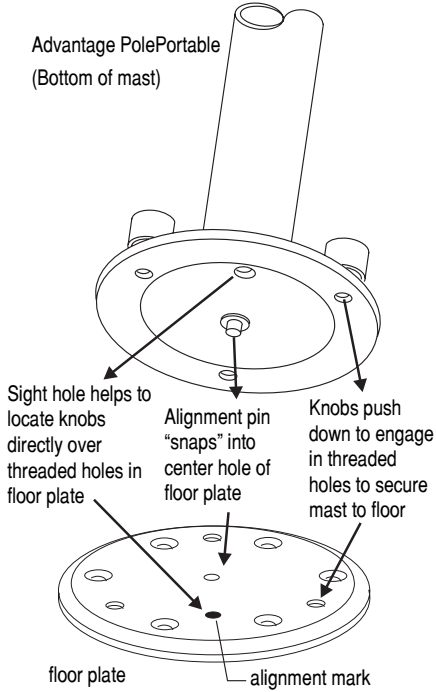


Install screw to retain pivot bushing using hex key

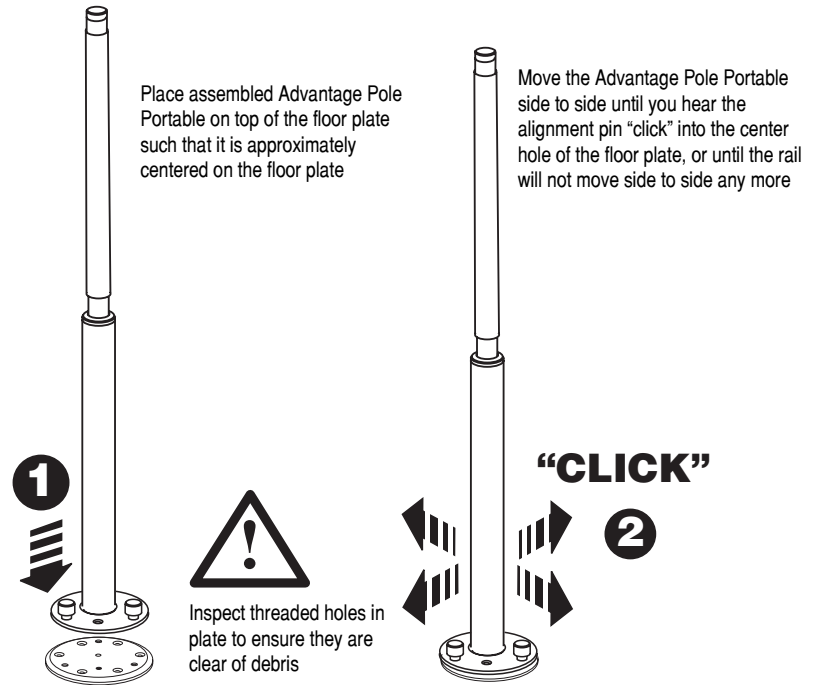


# Installing & Operating Pole

## Mating Surfaces Detail



## Placing Advantage Pole Portable on floor plate



## Sight in alignment mark & secure to floor plate

