



## P.T. Rail™ Angled

An exceptionally solid rail that provides support in areas where two or three stairs are found. A proven rail designed to suit home or institutional use.

### Features and Benefits

▪ **Adjustable Rail Angles.**

Features an adjustment screw to customize rail angle to suit even the steepest stairs.

▪ **Safe Fold Away Storage.**

Easily folds up to store out of the way and will not accidentally fall down causing an impact injury. A machined precision, tension fit hinge creates stable, rock solid support

▪ **Support For 2 and 3 Step Stairs.**

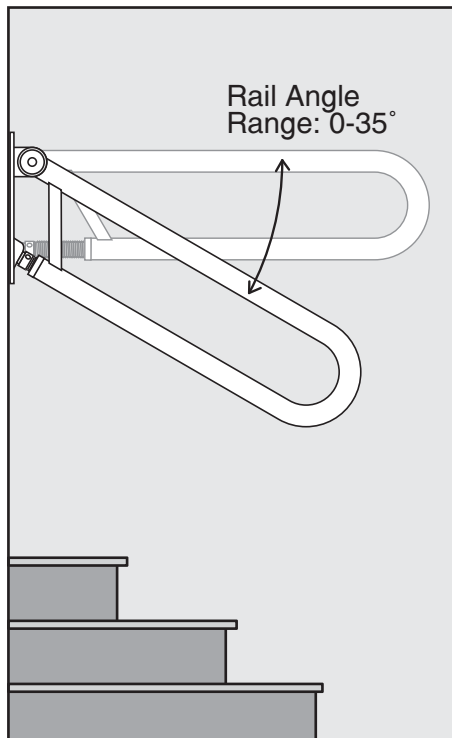
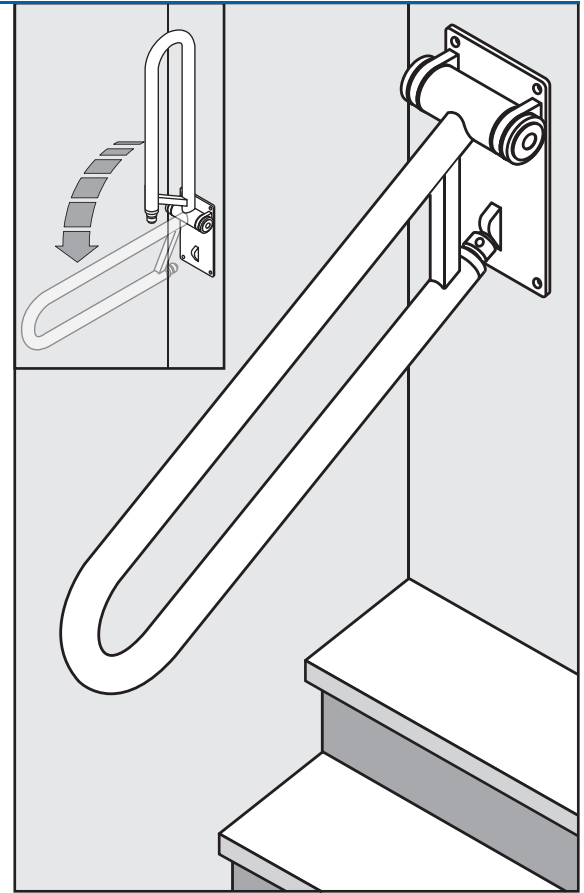
An excellent support option for sunken living rooms, decks, patios or 2 and 3 step stairs in garages.

▪ **Great For Getting In & Out Of Jacuzzis.**

The P.T.Rail™ Angled can be mounted with a mast at the threshold of a corner tub or Jacuzzi for optimal support. For larger tubs with stairs, mount 2 P.T.Rail™ Angled rails back to back for help getting in and out of the bathtub.

▪ **Wall or Floor Mounted Options**

Can be mounted to virtually any wall with basic structural reinforcements. Where structural reinforcements are not desirable, the P.T.Rail™ Angled can be mounted to a P.T. Wall Plate (sold separately) that spans structural studs for rock-solid support. A floor mast is also available when floor mounting is preferred (sold separately).



### Technical Specifications:

Rail Length	32" / 81 cm options from wall to tip of rail.
Rail Diameter	1.5" / 3.81 cm diameter (ADA Compliant).
Rail Angle Range	0 - 35°
Wall Plate	5.5" x 9" / 13.97 x 23 cm with 3/8" (x4) diameter fastener holes.
Material / Finishes	Steel (white powder coat or chrome plated) or stainless steel.
User Weight Capacity	400 lbs / 181 kg.