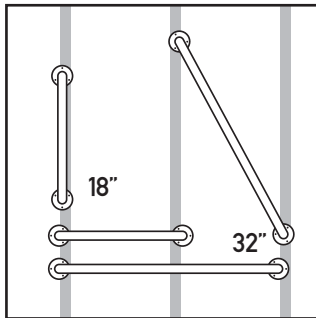


HealthCraft™ Institutional Grab Bars

Beautifully designed HealthCraft Grab Bars can be installed anywhere in the home to provide rock solid support.

Features and Benefits

- **Winglts® Compatible** - Bolt pattern on wall flanges are compatible with Winglts® Fasteners if wall stud spacing does not allow for direct mounting. Winglts® sold separately.
- **A Winning Combination** - Installation of multiple grab bars often provides full support.
- **Vertical Installation** - Recommended at the point of entry to the bathtub. Helps when pulling up to a standing position.
- **Horizontal Installation** - Recommended on the side wall of the bathtub. Helps when pushing up from sitting.
- **ADA Compliant** - All HealthCraft grab bar diameters and wall spacings comply with the Americans with Disabilities Act (ADA).



Technical Specifications:

Material	#304 Stainless Steel.																		
Finishes	Brushed satin.																		
Rail Diameter	Available in 1.25" / 32mm and 1.5" / 38mm (ADA compliant).																		
Rail Lengths	Measurements are from centre of flange plates: 18" / 46 cm and 32" / 81 cm.																		
Wall Clearance	Distance between the rail and wall is 1.5" / 38mm.																		
Assistance Level	<table border="1"> <tr> <td>M</td> <td colspan="4">ASSISTANCE LEVEL</td> <td>M</td> </tr> <tr> <td>I</td> <td>1</td> <td>2</td> <td>3</td> <td>4</td> <td>A</td> </tr> <tr> <td>N</td> <td></td> <td></td> <td></td> <td></td> <td>X</td> </tr> </table>	M	ASSISTANCE LEVEL				M	I	1	2	3	4	A	N					X
M	ASSISTANCE LEVEL				M														
I	1	2	3	4	A														
N					X														

Made in China.

CAUTION: NOTE: Maximum user weight / load for grab bars is dependent on selection of appropriate mounting hardware for mounting surface. We have supplied mounting hardware for basic installs into wooden studs. HealthCraft recommends grab bar installation by a qualified contractor. All models are compatible with Winglts® Fasteners.