



### **CAUTION** RISK OF INJURY!

Understand these instructions prior to using product.  
 Also, refer to the Assista-Rail<sup>TM</sup> instructions.

**VERTICAL LOAD BEARING ONLY** - DO NOT use if more than minimal sideward support is needed.

Maximum user weight 250lbs/113kg.

Do not use on wet or slippery floors.

Do not use with electric or hospital style beds.

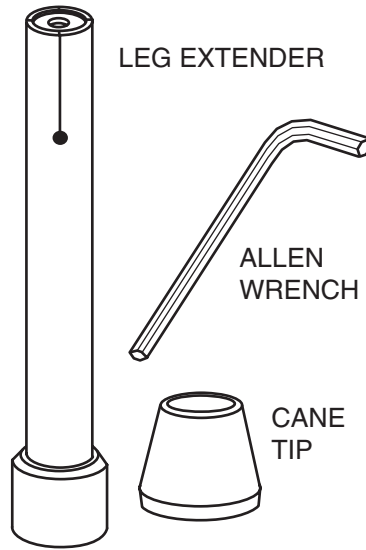
Strap supplied with Assista-Rail<sup>TM</sup> must be installed, tightened and regularly inspected for secure operation.

Lock casters on mobile beds prior to using rail.

Due to the potential risks associated with patient entrapment, the Assista-Rail<sup>TM</sup> is not recommended for patients with the following conditions:

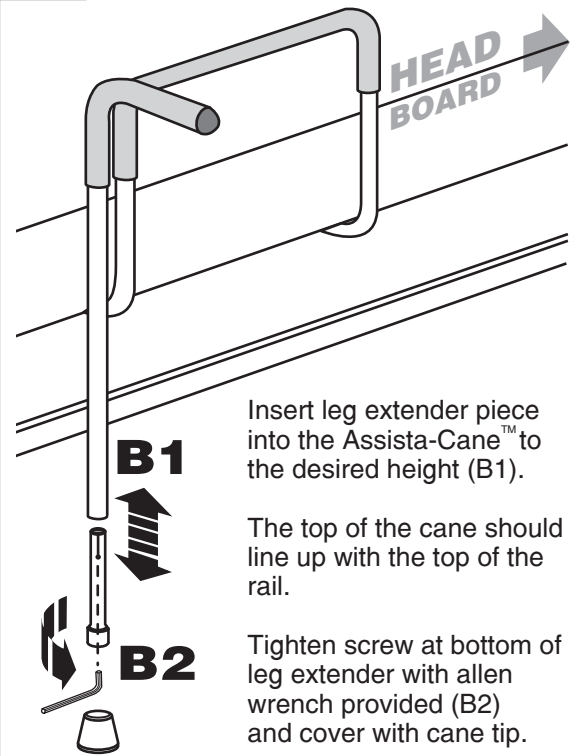
Problems with memory, incontinence, erratic or violent, uncontrolled body movements, those who get out of bed and walk unsafely without assistance. Altered mental status, pre-existing conditions such as confusion, restlessness, agitation and dementia.

### **A** Assista-Rail Extenders parts



Once the Assista-Rail<sup>TM</sup> is installed between the box spring and mattress, proceed with these instructions.

### **B** Insert Leg Extender



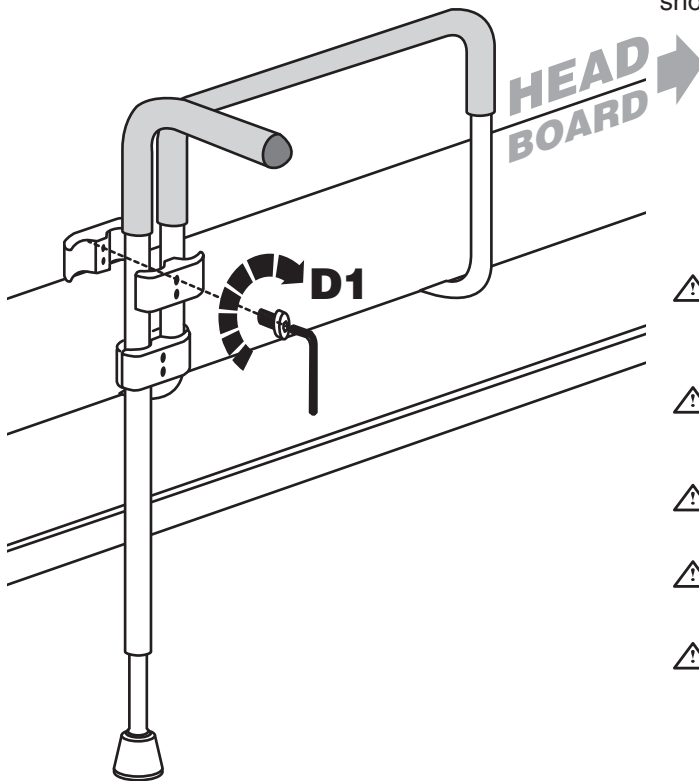
Insert leg extender piece into the Assista-Cane<sup>TM</sup> to the desired height (B1).

The top of the cane should line up with the top of the rail.

Tighten screw at bottom of leg extender with allen wrench provided (B2) and cover with cane tip.

### **D** Install Assista-Cane<sup>TM</sup> (Optional)

Install the Assista-Cane<sup>TM</sup> by tightening the bolts through the safety clamps (D1) to fix rail in one position. The foot of the cane should rest on the floor.



### **CAUTION** RISK OF INJURY!

Understand these instructions prior to using product.

- ⚠ Assista-Cane<sup>TM</sup>, Safety Clamps and Assista-Cane<sup>TM</sup> Leg Extenders are to be use exclusively with Assista-Rail<sup>TM</sup>. Failure to comply with instructions may cause injury.
- ⚠ Assista-Cane<sup>TM</sup> option to be installed facing outwards from the bed (as shown) or entrapment causing injury or death may result.
- ⚠ Assista-Cane<sup>TM</sup> may move/pivot if subjected to excessive side force.
- ⚠ Do not use if more than minimal sideward (lateral) support is needed.
- ⚠ Ensure that clamping screws are tight on a regular basis.