

THANK YOU...

Thank you for purchasing the Ceiling Plate Extender™. We are confident that you will find the unique design and durable construction of this product to be of great assistance in your daily routine.

To fully enjoy your Ceiling Plate Extender™, please take a few moments to read these instructions (and the SuperPole™ Instructions DC100). You should store these instructions in a safe place for future reference. Ceiling Plate Extender™ is covered under SuperPole™ warranty (see DC100 - SuperPole™ Instructions).

SAFETY CONSIDERATIONS

CAUTION: It is your responsibility to see that your SuperPole™ System and Ceiling Plate Extender™ are properly assembled, installed, and cared for. Failure to follow instructions in this manual could result in serious injury.

The Ceiling Plate Extender™ should only be used with HealthCraft's SuperPole™ System. Do not use with any other floor to ceiling pole. Prior to installing the Ceiling Plate Extender™, we recommend that you first read through these (and the SuperPole™ System) instructions.

INSTALLATION INSTRUCTIONS

The Ceiling Plate Extender™ is added to the standard SuperPole™ top plate to increase its span from 20" to 30". It may be used in cases where the SuperPole™ is expected to be subjected to more aggressive use, or where structural beams have increase spacing (such as 24" between centers).

F1. Complete step A1 on page 4 of DC100, and then continue with step F2 below.

F2. Place top plate (1) supplied with the SuperPole™ inside the Ceiling Plate Extender™ (35). Line up the holes of the top plate with the middle holes of the Ceiling Plate Extender™ as shown in **Figure 1**.

F3. Insert the flat head screw (36) through the Ceiling Plate Extender™ and top plate.

F4. Install the flat washer (37), lock washer (38), and acorn nut (39).

F5. Using the supplied hex key wrench (40), tighten the screw as shown in **Figure 1**. The screw must be flush with the Ceiling Plate Extender™ as shown in the **Figure 2**.

F6. Complete steps A2 to A11 of the SuperPole™ instructions, then continue with step F7 below.

NOTE: When choosing an installation location for the SuperPole™, ensure the Ceiling Plate Extender™ can be secured to 2 joists as shown in **Figure 3**.

F7. Secure Ceiling Plate Extender™ to the ceiling using appropriate fasteners for the ceiling material.

Your Ceiling Plate Extender™ installation is now complete.

Figure 1.

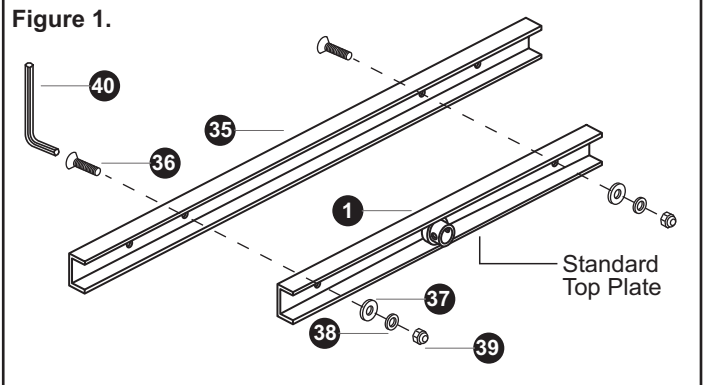


Figure 2.

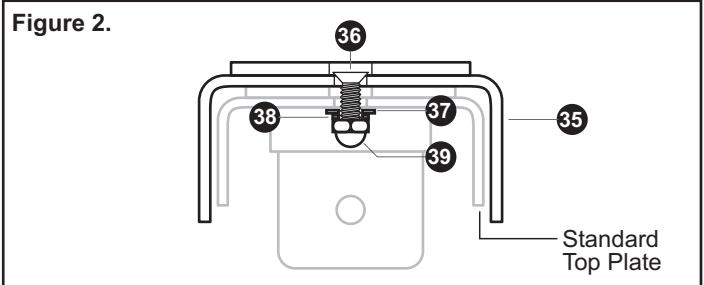
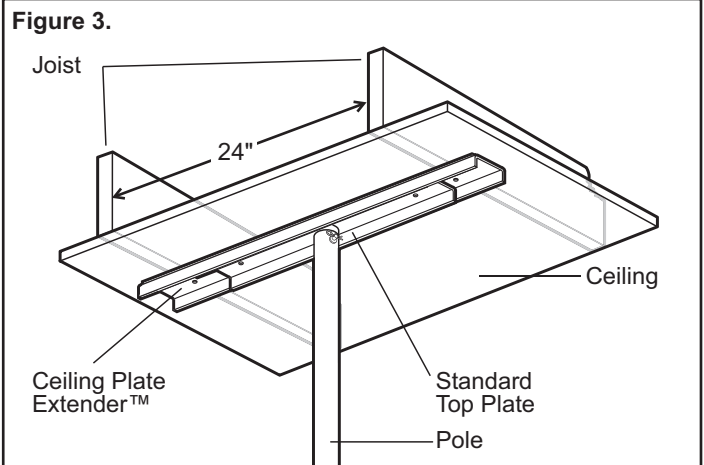


Figure 3.



HARDWARE

HW104 Flat Head Screw	HW105 Flat Washer	HW106 Lock Washer	HW107 Acorn Nut
x2	x2	x2	x2

HW301 Hex Key, 1/8", Short Arm	x1