

THANK YOU...

Thank you for purchasing the P.T.Rail™ Toilet Roll Holder. We are confident that you will find the unique design and durable construction of this product to be of great assistance in your daily routine.

To fully enjoy your P.T.Rail™ Toilet Roll Holder, please take a few moments to read these instructions (and the P.T.Rail™ instructions). You should store these instructions in a safe place for future reference.

⚠ SAFETY CONSIDERATIONS

CAUTION: It is your responsibility to see that your P.T.Rail™ Toilet Roll Holder is properly assembled, installed, and cared for. Failure to follow instructions could result in serious injury.

P.T.RAIL™ TOILET ROLL HOLDER INSTALLATION

The P.T.Rail™ Toilet Roll Holder should only be installed on HealthCraft's P.T.Rail™. Do not use Toilet Roll Holder as a weight bearing surface or injury may occur.

WARRANTY

All HealthCraft™ Products are covered by a one year limited warranty with the exception of hand grips which are subject to normal wear. Buyer hereby indemnifies, agrees to hold harmless and defend HealthCraft™ Products Inc. from and against any and all liabilities, claims, (founded and unfounded), losses, damages, costs and expenses (including without limitation consequential damages and reasonable professional fees) resulting from buyers specification, application, or improper use of goods described hereon; buyers omission or neglect.

HealthCraft™ Products Inc. does not assume any liability for damage resulting from services performed by others or faulty installation, misuse or misapplication of goods sold by HealthCraft™ Products Inc.

HealthCraft™ Products Inc. shall not be liable for prospective profits or special, indirect, or consequential damages, or for the cost of any corrective work done without HealthCraft™ Products Inc. prior approval. HealthCraft™ Products Inc. total liability hereunder shall in no event exceed the purchase price of the goods specified hereon.

INSTALLATION INSTRUCTIONS

Make sure the surface of the P.T.Rail™ is clean prior to installation. Apply at room temperature.

1. Determine where the Toilet Roll Holder will be placed on the P.T.Rail™ (consider top or bottom rail, and distance from wall). Ensure it is accessible without interfering with gripping. For P.T.Rail™ hinged models, note orientation of installation as shown in **Figure 1**.

2. Before removing the protective strip from the double sided tape, test location by temporarily attaching the Toilet Roll Holder to the P.T.Rail™ using tape or string.

3. Remove the protective strip to expose adhesive. Position the Toilet Roll Holder under the rail, then carefully press the Toilet Roll Holder onto the rail as shown in **Figure 2**. Apply firm pressure for 10 seconds. Allow 24 hours for adhesive to set fully.

Your P.T.Rail™ Toilet Roll Holder is now installed.

WR402 TOILET ROLL HOLDER ASSEMBLY

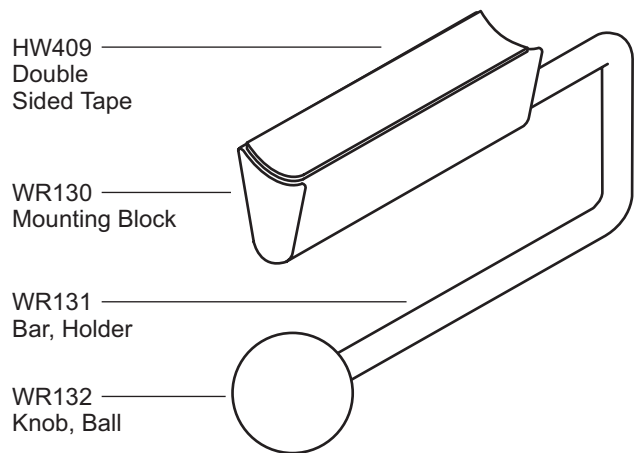
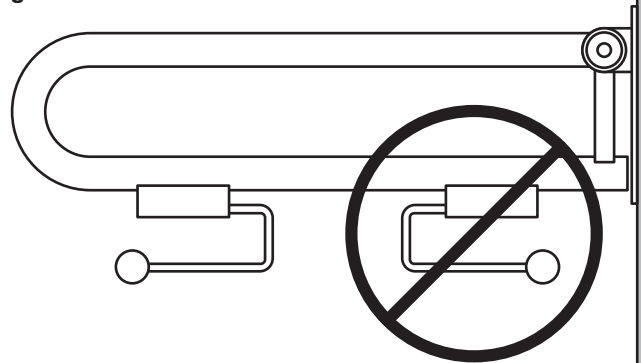


Figure 1.



CORRECT!

Toilet paper will not fall off when P.T.Rail™ is folded against wall.

INCORRECT!

Toilet paper WILL FALL OFF when P.T.Rail™ is folded against wall.

Figure 2.

