



www.healthcraftproducts.com

# Dependa-Bar™

Installation Instructions: DB-18-PCW, DB-32-PCW, DB-18-SK, DB-32-SK

## THANK YOU...

Thank you for purchasing the Dependa-Bar™. We are confident that you will find the unique design and durable construction of this product to be of great assistance in your daily routine.

To fully enjoy your Dependa-Bar™, please take a few moments to read these instructions. You should store these instructions in a safe place for future reference.

## SAFETY CONSIDERATIONS

**CAUTION:** It is your responsibility to see that your Dependa-Bar™ is properly assembled, installed, and cared for. Failure to follow instructions in this manual could result in serious injury. Support rails can be slippery when wet - use this product with caution.

## DEPENDA-BAR™ INSTALLATION / MAINTENANCE

The Dependa-Bar™ should only be installed in areas where the mounting surface is structurally sound. Strengthening modifications may be required (see page 3 for details). Should not be installed in fiberglass / acrylic shower enclosures with insufficient stiffness and strength. Should not be installed into metal studs. If you are not equipped to undertake the outlined work we recommend that you have your Dependa-Bar™ installed by a qualified contractor. Suggested maximum user weight of support rail is 325lbs/147kg, however this rating is conditional upon suitable fasteners and supporting surface.

## WARRANTY

All HealthCraft™ Products are covered by a one year limited warranty with the exception of hand grips which are subject to normal wear. Buyer hereby indemnifies, agrees to hold harmless and defend HealthCraft™ Products Inc. from and against any and all liabilities, claims, (founded and unfounded), losses, damages, costs and expenses (including without limitation consequential damages and reasonable professional fees) resulting from buyers specification, application, or improper use of goods described hereon; buyers omission or neglect.

HealthCraft™ Products Inc. does not assume any liability for damage resulting from services performed by others or faulty installation, misuse or misapplication of goods sold by HealthCraft™ Products Inc.

HealthCraft™ Products Inc. shall not be liable for prospective profits or special, indirect, or consequential damages, or for the cost of any corrective work done without HealthCraft™ Products Inc. prior approval. HealthCraft™ Products Inc. total liability hereunder shall in no event exceed the purchase price of the goods specified hereon.

## TOOLS REQUIRED

- Level
- Hammer
- Stud Finder
- Marker
- Personal Protective Eyewear
- Carbide tip drill suitable for tile
- Protective blanket

## FASTENERS: INSTALLATION + MAINTENANCE

The Dependa-Bar™ must be secured to the wall with fasteners appropriate to the structural material. Inspect, or have inspected (and tighten if necessary) the screws on a monthly basis. All fasteners must be stainless steel. See chart below to determine appropriate fasteners for wall construction.

FASTENER COMBINATION	STRUCTURE BEHIND WALL (Wall Surface: Tile on 1/2" min cement board)
#10 x 2" S/S Screw (included)	-Wood studs. -Adequate wood structural backing.
#10-24 x 2.5" S/S Bolt with SnapToggle® toggle bolts	-No aligning structural wood studs. -Suitably strong structural wall board.

For tile walls judged to be suitably strong, for moderate support weight bearing applications, you may choose to use the supplied SnapToggle® toggle bolts without reinforcing structural improvement.

If you are using fasteners other than the ones supplied, we recommend flat head style screws (i.e. a screw that requires a countersunk hole). We recommend stainless steel fasteners to prevent rusting. Also, residue from steel drill bits and other non-stainless steel tools may cause rust stains. Properly clean metal chips, debris etc. prior to exposing to water.

## TIPS FOR DRILLING INTO TILE

- Use carbide tipped masonry drill on ceramic, or consider a diamond tip drill for porcelain tile.
- If possible, drill a smaller pilot hole first.
- Be careful to prevent the drill from moving when you first start it rotating - use duct tape or a wood guide on the surface of the tile to hold the drill from walking sideways.
- A variable speed drill on slow is best to start the hole. Do not apply too much pressure when drilling. Do not use a hammer drill.

## TIPS FOR LOCATING A WOOD STUD

- For drywall surfaces, use a stud sensor to locate a stud.
- If there is access to the backside of the bathroom wall (i.e. through a closet), measure the stud location and transfer the measurements into the bath area.
- For tile surfaces, try a stud sensor to locate a stud. If no stud is found, measure 16" from a perpendicular wall. Drill a small hole in the grout to ensure the stud has been found. If there is no stud at this location, bend a piece of wire in a "L" shape and insert it through the hole. Spin the wire to determine exactly where the stud is located and mark its location. Patch all holes with silicone to keep moisture out of the wall.

## WATERPROOFING

We recommend that sealant be applied around the wall contact points for any products mounted in the shower. If not properly sealed, there is the potential for water to seep into the wall. This may cause the wood to rot, thus compromising the structure the support rail is attached to.

## MOUNTING LOCATION

We strongly recommend that you give some thought as to the optimal location of your Depend-a-Bar™ before installation. The following suggestions are offered for your consideration, however, it is recommended to consider advice from the appropriate healthcare professional for locating any support rail.

To determine the optimal location, we recommend holding the rail in place and walking through the motions of a transfer (sitting, standing, reaching, etc.). Consider the following when determining the optimal mounting location:

1. **Locking Positions:** How many locking positions are required?
2. **Wall Studs:** Are you planning to use screws into wall studs? Where will this locate the Depend-a-Bar™? If possible, move mounting location to match structure behind the wall.
3. **Pinch Points and Obstructions:** Ensure the rail is clear of shower structures, and does not create undesirable pinch or entrapment points in all locking positions.
4. **Access:** Ensure that proposed location allows adequate room for user to stand up from bath bench, toilet, etc.
5. Avoid electrical / plumbing behind the wall.
6. Where possible, drill through tile - not through grout.

**HORIZONTAL SPACING.** The distance from the front wall to the pivot rail (X in **Figure 1**) is typically 19", as this spacing allows the maximum number of locking positions (5). The closer the pivot rail to the front wall the less locking positions (4 or 3). The further the pivot rail is from the front wall, it may become difficult to access the shower controls over the Depend-a-Bar™.

**VERTICAL SPACING.** The distance from the top of the bathtub to top of lower rail is typically 4"/10cm. However, height may be adjusted to suit specific needs.

## INSTALLATION INSTRUCTIONS

Place a blanket down in the area that you will be installing the Depend-a-Bar™ to protect the shower or bathtub surfaces from parts that may fall during installation. The proposed mounting location must be cleaned prior to installation.

Refer to the fastener chart on page 1 to determine the size of hole required for the appropriate wall construction.

1. Place the lower rail on the wall. Ensure the ends are on wooden studs as shown in **Figure 2**, with the castellated grooves (1) located where the pivot rail is to spin around.
2. Mark the horizontal and vertical locations for the lower rail.
3. Loosely secure one side of the lower rail with one fastener. Do not fully tighten fasteners at this step.
4. Align and the opposite side of the lower rail and verify using a level.
5. Loosely secure the opposite side of the lower rail with one fastener, **IMPORTANT:** If it is not level, the pivot rail will not lock properly and reinstallation may be necessary. Do not fully tighten fasteners at this step.
6. Align the top flange with the lower rail wall flange (the side with the castellated collar) and verify with a level. The top flange should be 24-26" / 61-66cm above the lower rail, and have a wall stud behind it.
7. Mark hole positions with a marker as shown in **Figure 2**.
8. Drill appropriate holes for fasteners and use stainless steel fasteners to secure top flange to wall as shown in **Figure 2**.
9. Slide the pivot rail (3) up through the top flange, align and rest it down on the castellated collar as shown in **Figure 3a-c**. Ensure the grooves of the pivot rail engage the castellated collar as shown in **Figure 3c**.
10. Insert the spacer (4), washer (5) and screw (6) into the underside of the castellated collar and tighten as shown in **Figure 4a**. Secure screw lightly with supplied hex key (7). Test the rail for smooth operation, and that each of the locking positions engages and locks. Tighten screw when satisfied with the pivot rail operation.
10. Cover the exposed grooves of the castellated collar with the white vinyl cap (8) as shown in **Figure 4b**.

You Depend-a-Bar™ installation is now complete.

Figure 1.

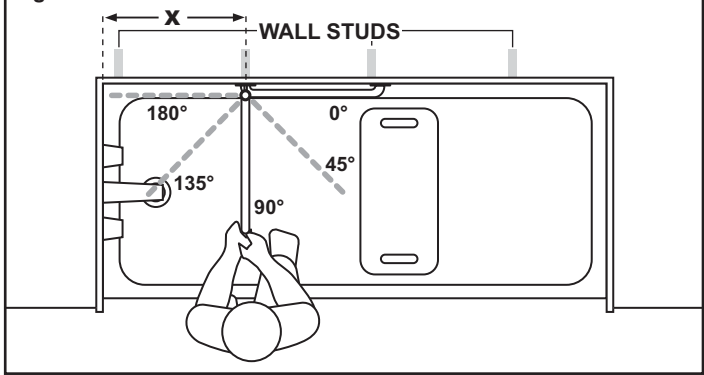


Figure 2.

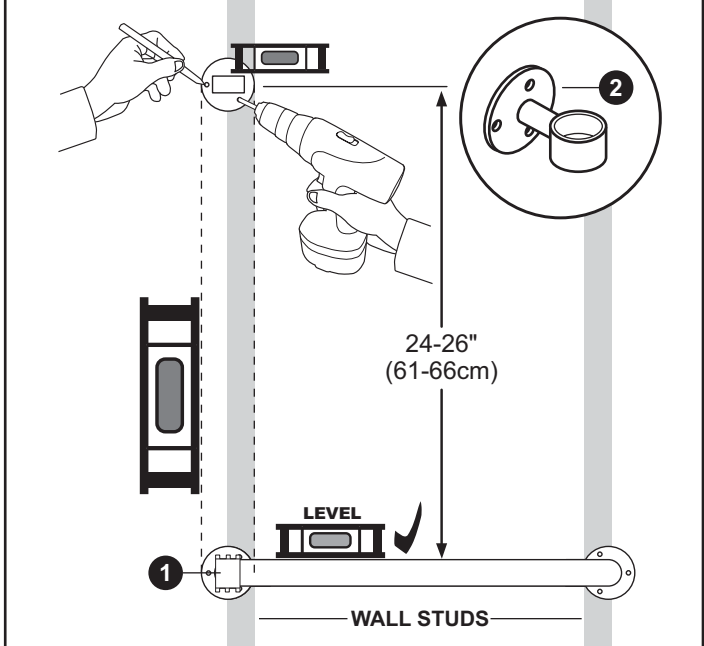


Figure 3a.

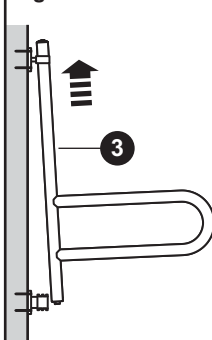


Figure 3b.

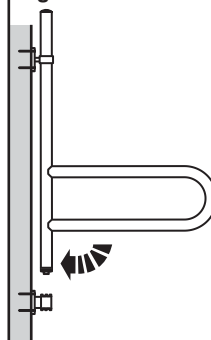


Figure 3c.

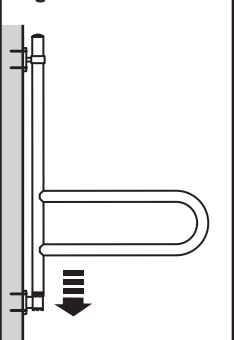


Figure 4a.

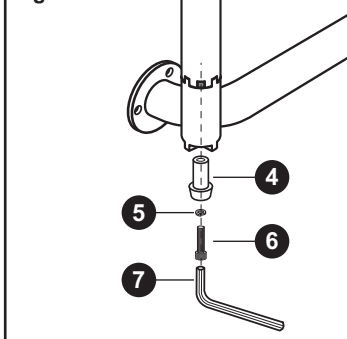
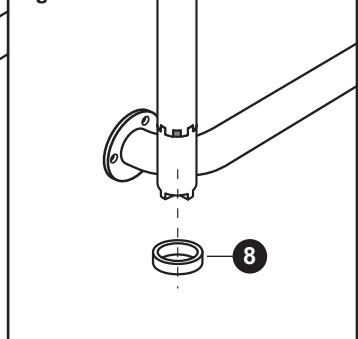


Figure 4b.



## DEPENDA-BAR™ PLACEMENT

The Depend-a-Bar™ should always be secured directly into a wall structure, such as a concrete wall, wall embedded wooden studs, or wooden blocking bridging between studs. If such installation is not possible, using a fastening system which expands directly behind drywall wall board to support the product should be considered entirely at your own discretion and risk. Such installation should only be considered for moderate use applications. Must be installed in accordance with the fastening system into structurally sound wall board, protected from moisture penetration and with the installation vigorously tested, and regularly inspected.

## STRUCTURAL REINFORCEMENT SUGGESTIONS

**NOTE:** Due to variances in local construction methods and materials used, details given below are suggestions only. Consult the appropriate local contractor for specific advice. For concrete walls, you may be able to install fasteners (such as a wedge anchor) directly into the concrete wall without modification.

If there is access to the backside of the bathroom wall (i.e. through a closet) and structural reinforcement is required, consider cutting a hole in this backside wall to allow access to the bathroom wall from behind (without having to remove / replace ceramic tiles).

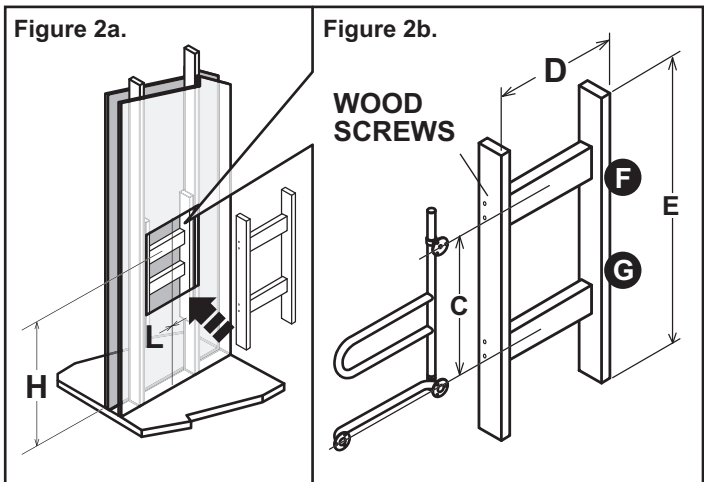
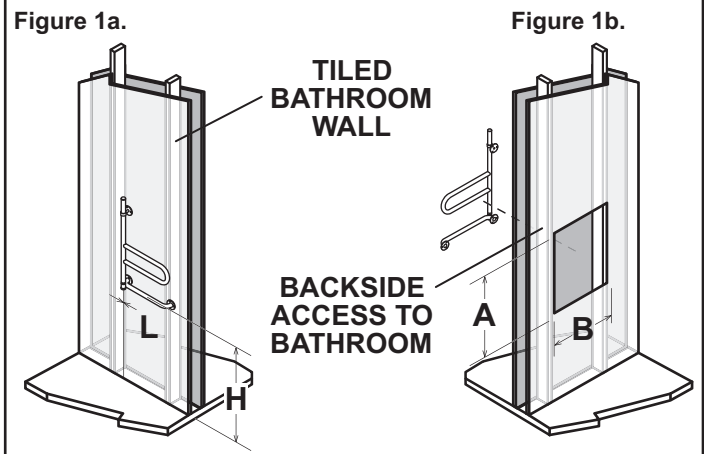
1. Choose optimal mounting location of rail centered around the shower controls, including height (H) and side to side location (L) as shown in **Figure 1a**. Mark the height and location on the wall for future reference. **NOTE:** If accessing the bathroom wall from the backside, transfer the measurements for the support rail location to the backside wall as shown in **Figure 1b**.

2. Find wall support studs & cut hole in wall board to expose wall studs as shown in **Figure 2a**. Suggested hole size is height (A) of 30" (76cm) and width (B) corresponding to wall stud spacing. Expose half width of each stud to facilitate re-installation of wall board patch. **IMPORTANT: Avoid any utilities located in wall!**

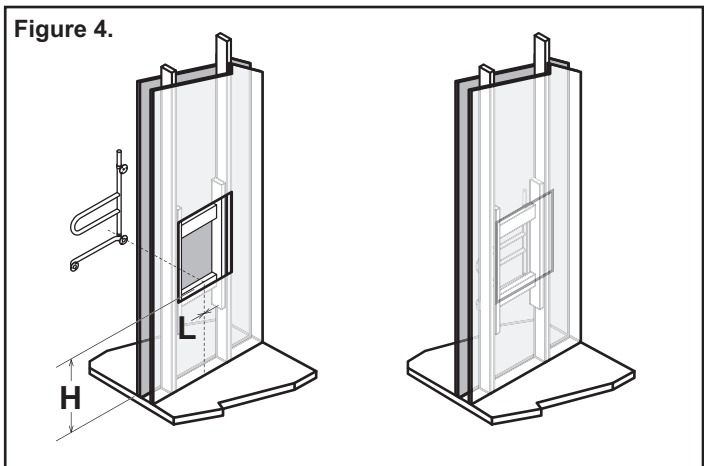
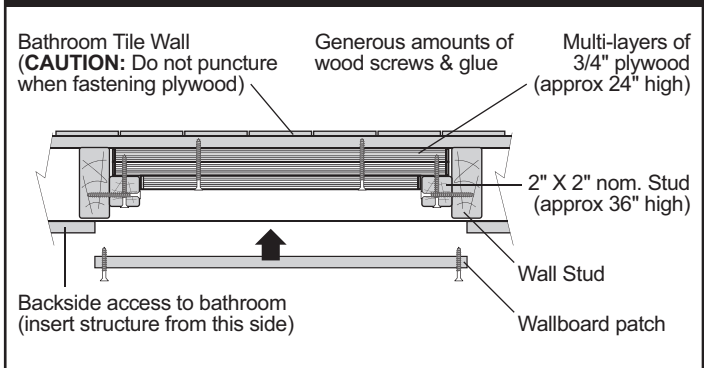
3. Fabricate a support frame structure from suitable wood pieces as shown in **Figure 2b**. Support frame width (D) should fit snugly within wall studs. Support frame height (E) should be from 36-48" (91-122cm) high or more, depending on material and stiffness of wall studs. Locate top cross member (F) to position in line with top flange when lower rail is located at the height (H). Lower cross member (G) should be spaced at C = 24-26" (61-66cm) center to center from top cross member. Hold the support rail against the support frame to confirm the cross members are in the correct location. Use a generous quantity of wood screws and glue to hold the support frame structure together as shown. See alternative to support frame as shown in **Figure 3**.

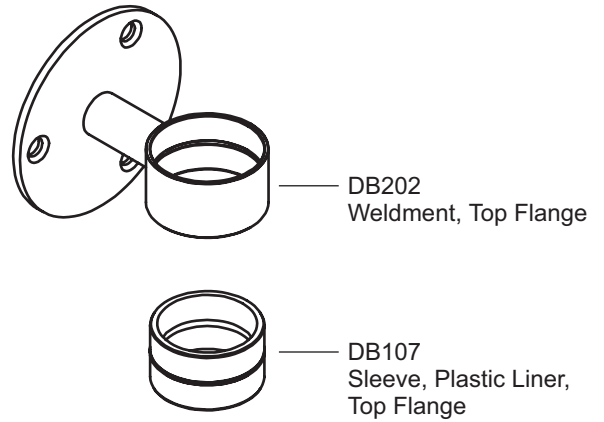
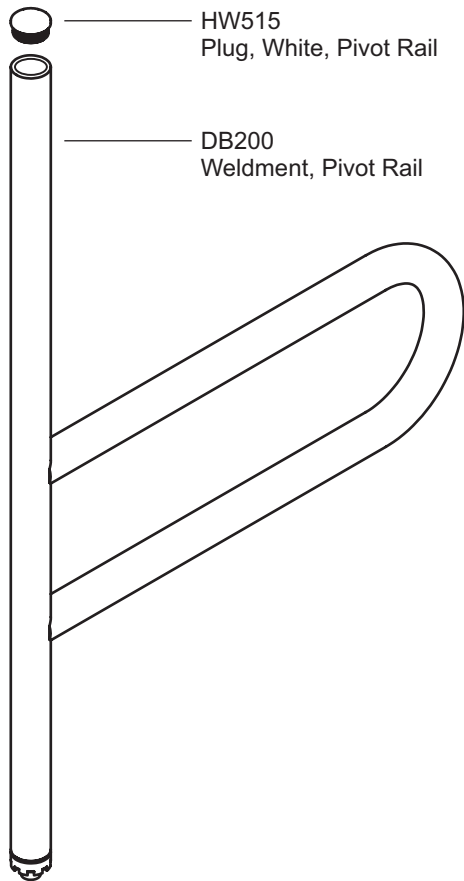
4. Insert support frame structure through hole in wall and secure uprights to wall studs using a generous amount of wood screws.

5. Complete the Depend-a-Bar™ installation instructions on Page 2. Then, patch the wall cutout (if backside access to bathroom, consider making an access panel for future servicing) to match the surrounding wall as shown in **Figure 4**.

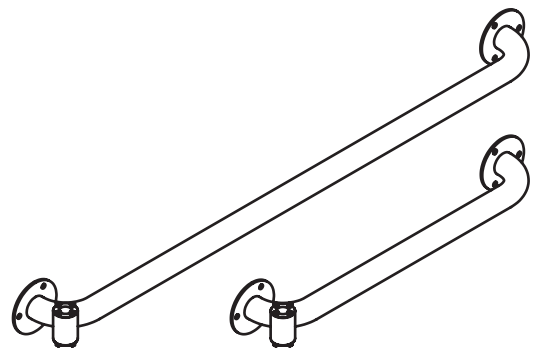


## FIGURE 3: ALTERNATIVE TO SUPPORT FRAME - MULTI-LAYER PLYWOOD INSIDE WALL WITH WALLBOARD PATCH (TOP VIEW)



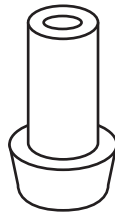


DB201: WELDMENT, LOWER RAIL 18" /  
DB203: WELDMENT, LOWER RAIL 32"



**HARDWARE**

**DB106**  
Spacer, Bottom Lift Limit



**x1**

**HW131**  
Washer, High Collar,  
1/4 in., S/S



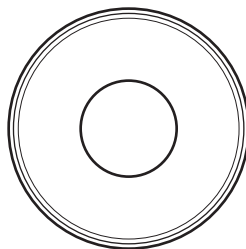
**x1**

**HW197/198**  
TAP-CAP



**x9**

**DB130**  
Cap, 1-1/4", Vinyl



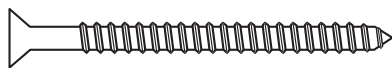
**x1**

**HW130**  
Screw, SHCS, 1/4-20 x 1.5", 18-8 S/S, #4844 Coated



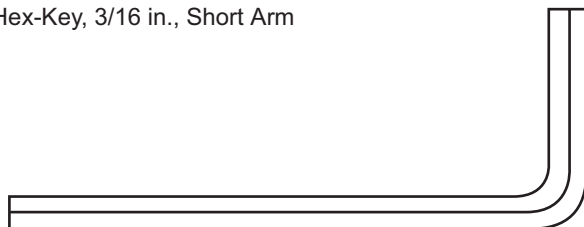
**x1**

**HW199**  
Screw, FPHSMS, #10-12 x 2", 18-8 S/S



**x9**

**HW321**  
Hex-Key, 3/16 in., Short Arm



**x1**