

THANK YOU...

Thank you for purchasing the Assista-Rail™. We are confident that you will find the unique design and durable construction of this HealthCraft™ product to be of great assistance in your daily routine.

To fully enjoy your Assista-Rail™, please take a few moments to read these instructions. You should store these instructions in a safe place for future reference.

SAFETY CONSIDERATIONS

CAUTION / DANGER: It is your responsibility to see that your Assista-Rail™ is properly assembled and installed. Failure to follow instructions in this manual could result in **SERIOUS INJURY OR DEATH.**

ASSISTA-RAIL™ / ASSISTA-CANE™ INSTALLATION / MAINTENANCE

The Assista-Rail™ is intended for moderate vertical load bearing only. Do not use if sideward (lateral) support is needed. Do not use with electric or hospital style beds. Lock casters on mobile beds prior to using rail. Supplied strap must be installed and regularly inspected for secure operation. Assista-Cane™ and safety clamps are to be used exclusively with Assista-Rail™. Assista-Cane™ option to be installed in an outward position from the bed or entrapment causing injury or death may result. Do not use on wet or slippery floors. Ensure that clamping screws are tightened on a regular basis. Assista-Cane™ may move/pivot if subjected to excessive side force. Reposition cane and re-tighten screws. Maximum suggested user weight is 300 lbs / 136kg.

WARNING - PATIENT ENTRAPMENT!

The potential risk of entrapment (limb, neck, head, torso) between the rail and adjacent item (i.e. bed) can be reduced or avoided by the following strategies:

1. Consider situations that could change with time or usage such as mattress compression, patient movement, bed position changes due to electrically powered beds, etc.
2. Realize that this product is not intended as a physical constraint or barrier to exiting the bed.

WARRANTY

All HealthCraft™ Products are covered by a one year limited warranty with the exception of hand grips which are subject to normal wear. Buyer hereby indemnifies, agrees to hold harmless and defend HealthCraft™ Products Inc. from and against any and all liabilities, claims, (founded and unfounded), losses, damages, costs and expenses (including without limitation consequential damages and reasonable professional fees) resulting from buyers specification, application, or improper use of goods described hereon; buyers omission or neglect.

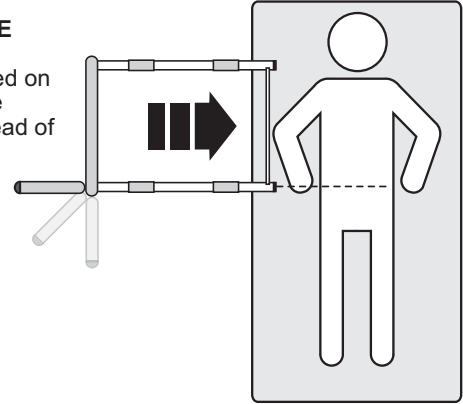
HealthCraft™ Products Inc. does not assume any liability for damage resulting from services performed by others or faulty installation, misuse or misapplication of goods sold by HealthCraft™ Products Inc.

HealthCraft™ Products Inc. shall not be liable for prospective profits or special, indirect, or consequential damages, or for the cost of any corrective work done without HealthCraft™ Products Inc. prior approval. HealthCraft™ Products Inc. total liability hereunder shall in no event exceed the purchase price of the goods specified herein.

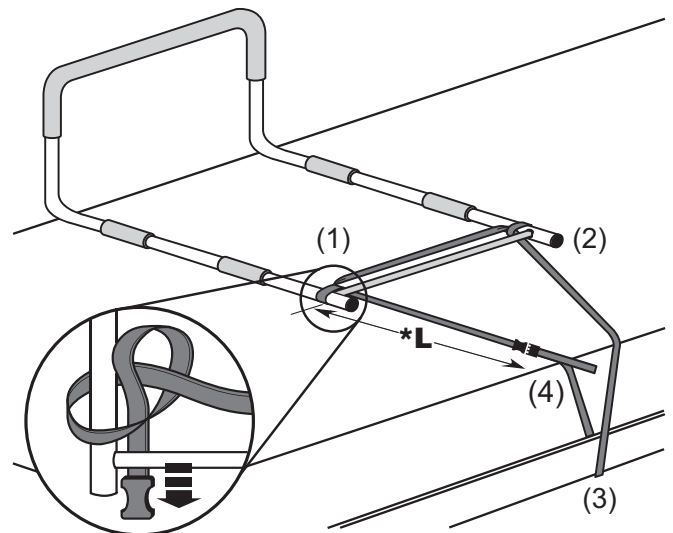
ASSISTA-RAIL™ INSTALLATION INSTRUCTIONS

A1. Remove bed mattress, pillows, etc. to expose box spring. Locate tube adjacent to hip as shown below.

ASSISTA-CANE (OPTIONAL)
Should be placed on the vertical tube furthest from head of bed as shown.



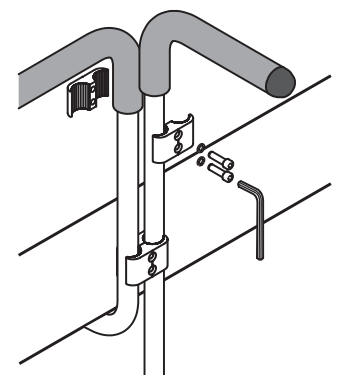
A2. Align rail with edge of bed. Align female side of the buckle close to edge of bed (NOTE: Length (*L) of strap from knot to edge of bed depends on size of bed). Tie a knot around the rail leg as shown in the inset (1) of **Figure 1**. Pull strap across and tie a knot around the other rail leg (2). Pull strap around metal bed frame (3). Put the mattress back on the box spring and pull slack to tighten strap (4).



ASSISTA-CANE™ INSTALLATION INSTRUCTIONS (OPTIONAL)

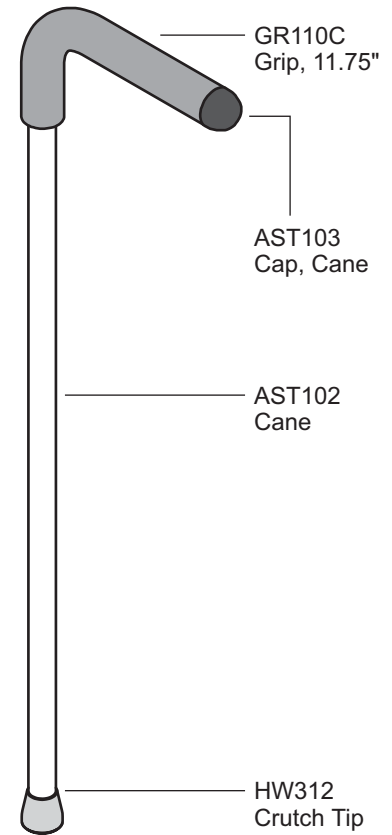
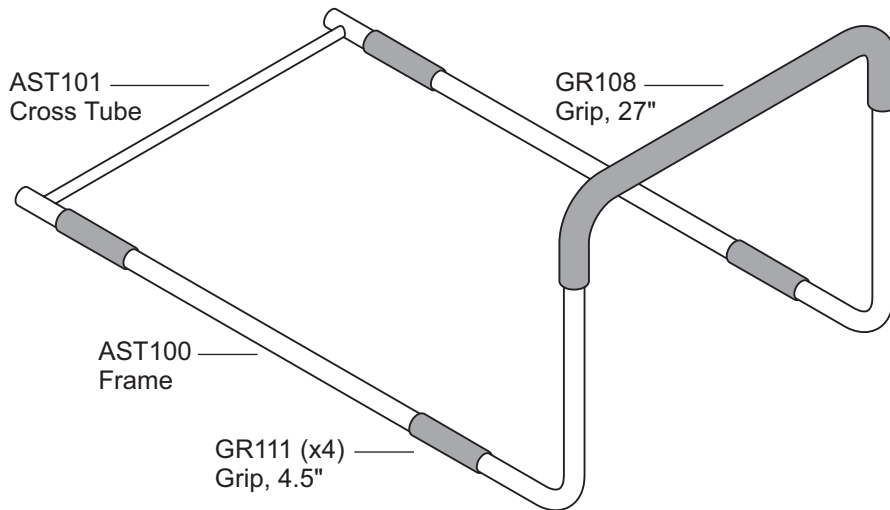
Install the Assista-Cane™ on the bed rail vertical tube furthest from the head of the bed. Tighten the safety clamp screws to fix rail in an outward position only.

Both clamps must be used for proper installation of cane.



AST400: ASSISTA-RAIL™ FRAME ASSEMBLY

AST401: ASSISTA-CANE™ ASSEMBLY



AST402: SAFETY CLAMPS ASSEMBLY

HARDWARE

