

THANK YOU...

Thank you for purchasing the SuperPole™ Uni-Fit Extender™. We are confident that you will find the unique design and durable construction of this product to be of great assistance in your daily routine.

To fully enjoy your SuperPole™ Uni-Fit Extender™, please take a few moments to read these instructions (and the SuperPole™ Instructions DC100). You should store these instructions in a safe place for future reference. Uni-Fit Extender™ covered under SuperPole™ warranty (see DC100 - SuperPole™ Instructions).

SAFETY CONSIDERATIONS

CAUTION: It is your responsibility to see that your SuperPole™ System and Uni-Fit Extender™ are properly assembled, installed, and cared for. Failure to follow instructions could result in serious injury.

UNI-FIT EXTENDER™ INSTALLATION

The Uni-Fit Extender™ should only be used with HealthCraft's SuperPole™ System. Do not use with any other floor to ceiling pole. Do not use with the SuperTrapeze™, SuperPole™ Bariatric or Ultra models.

INSTALLATION INSTRUCTIONS

The Uni-Fit Extender™ is added to the SuperPole™ to increase its height range from 93-99" to 100-120" as shown in **Figure 1**.

E1. Complete A1 on page 4 of DC100, and then continue with step E2 (**NOTE: The parts removed from the SuperPole™ Top Plate are not required to complete the installation of the Uni-Fit Extender™.**)

E2. Measure and record the floor to ceiling height. Select the correct hole using the height range information as shown in **Figure 2**.

E3. Slide the Uni-Fit Extender™ (31) onto the top plate (1) as shown in **Figure 2a**. Align locking pin hole of the Uni-Fit Extender™ with the hole on the top plate. Secure with the long clevis pin (32) and cotter pin (34), using a nylon washer (33) on each side of the Uni-Fit Extender™ as shown in **Figure 2b**.

E4. Slide the top end of the SuperPole™ (2) into the bottom of the Uni-Fit Extender™ (31) as shown in **Figure 2a**. Align hole at the top of the pole with the hole on the Uni-Fit Extender™ selected in step **E2**. Secure with the long clevis pin (32) and cotter pin (34), using a nylon washer (33) on each side of the Uni-Fit Extender™ as shown in **Figure 2b**.

Continue with step A4 of the SuperPole™ instructions.

Figure 1.

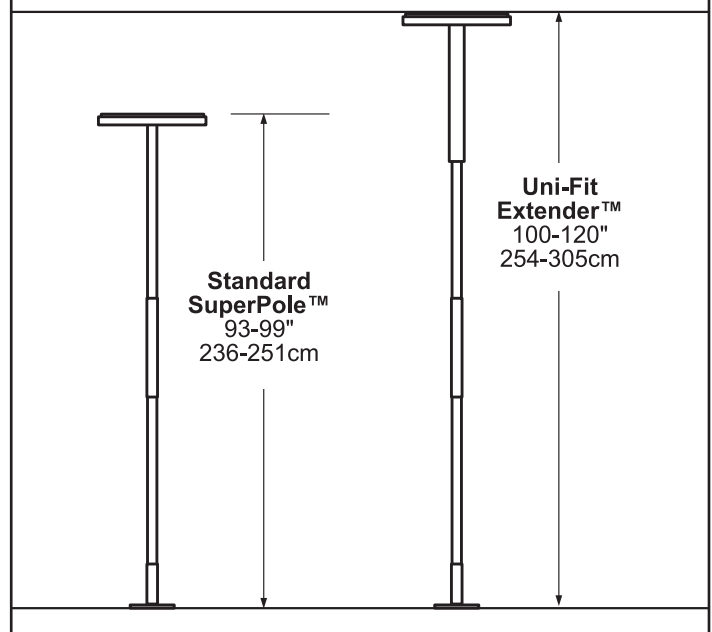


Figure 2a.

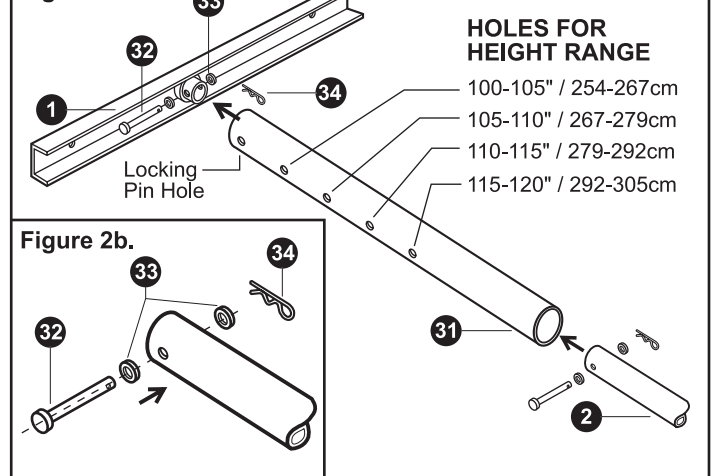
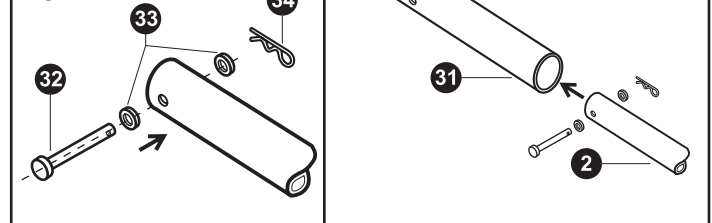


Figure 2b.



HARDWARE

HW323
Cotter Pin

x2



HW318
Washer, 1/2" x 1/4"
x .065", Nylon

x4



HW313
Clevis Pin, 1/4" x 2", Steel, Zinc (SPUF)

x2

