



www.healthcraftproducts.com

Smart-Rail™ / Smart-Rail™ Leg Extenders (Pg.4)

Installation Instructions: SR-S, SR-LE

THANK YOU...

Thank you for purchasing the Smart-Rail™. We are confident that you will find the unique design and durable construction of this HealthCraft™ product to be of great assistance in your daily routine.

To fully enjoy your Smart-Rail™, please take a few moments to read these instructions. You should store these instructions in a safe place for future reference.

SAFETY CONSIDERATIONS

CAUTION: It is your responsibility to see that your Smart-Rail™ is properly assembled, installed, and cared for. Failure to follow instructions in this manual could result in serious injury.

SMART-RAIL™ INSTALLATION / MAINTENANCE

The Smart-Rail™ is intended for moderate vertical load bearing only. Do not use if sideward (lateral) support is needed. Ensure that the rail is at least 2"/50mm off floor when rail is in locked position (soft type box spring beds can compress downward under load allowing support frame to move down, and rail to become unlatched). Do not use on wet or slippery floors. Do not use with electric or hospital style beds. Supplied strap must be installed for secure operation. Maximum suggested user weight is 300 lbs / 136kg. **HINT:** When unlocking and swinging rail, grab rail closest to the pivot tube for easy lifting.

WARRANTY

All HealthCraft™ Products are covered by a one year limited warranty with the exception of hand grips which are subject to normal wear. Buyer hereby indemnifies, agrees to hold harmless and defend HealthCraft™ Products Inc. from and against any and all liabilities, claims, (founded and unfounded), losses, damages, costs and expenses (including without limitation consequential damages and reasonable professional fees) resulting from buyers specification, application, or improper use of goods described hereon; buyers omission or neglect.

HealthCraft™ Products Inc. does not assume any liability for damage resulting from services performed by others or faulty installation, misuse or misapplication of goods sold by HealthCraft™ Products Inc.

HealthCraft™ Products Inc. shall not be liable for prospective profits or special, indirect, or consequential damages, or for the cost of any corrective work done without HealthCraft™ Products Inc. prior approval. HealthCraft™ Products Inc. total liability hereunder shall in no event exceed the purchase price of the goods specified hereon.

WARNING - PATIENT ENTRAPMENT!

The potential risk of entrapment (limb, neck, head, torso) between the rail and adjacent item (i.e. bed) can be reduced or avoided by the following strategies:

1. Consider situations that could change with time or usage such as mattress compression, patient movement.
2. Realize that this product is not intended as a physical constraint or barrier to exiting the bed.

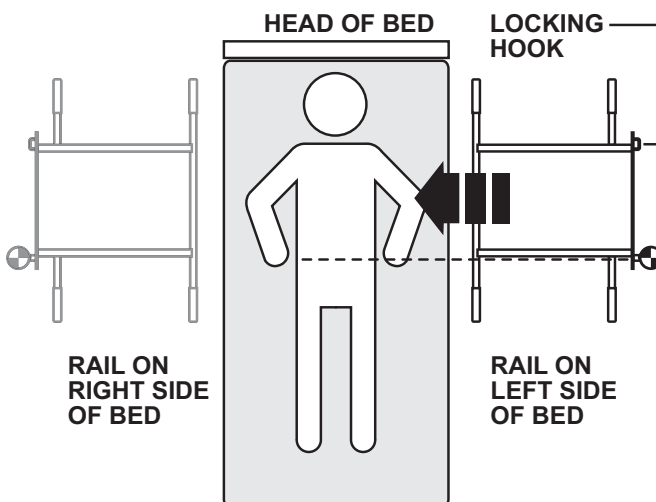
GETTING STARTED

We strongly recommend that you give thought as to the optimal location of your Smart-Rail™ before installation. In addition, the following questions may help you to decide upon a location:

- a. What motions will you be going through? (pulling up to standing, lowering to sitting, transferring from bed to chair, etc.). Will the location allow for full support over most of your path of motion?
- b. Where will you need the most support? (while walking, while lifting, etc.)
- c. What is your strongest side/hand?
- d. Will the rail allow you to stand comfortably?

SMART-RAIL™ PLACEMENT

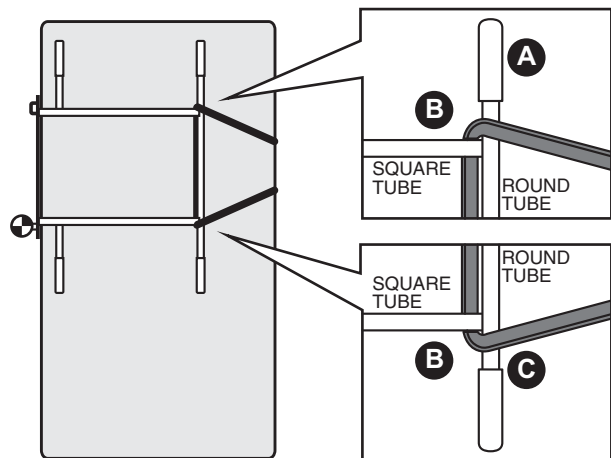
Locate pivot tube adjacent to hip / belt line with the locking hook of the support frame located closest to the head of the bed as shown below. Turn frame over for installation on opposite side of bed.



SMART-RAIL™ INSTALLATION INSTRUCTIONS

A1. Slide support frame between box spring and mattress as shown in **Figure 1**. Align the pivot tube adjacent to hip with the locking hook of the support frame located closest to the head of the bed. Turn frame over for installation on opposite side of bed.

A2. Install strap as shown below: over round tube (A), under and across both square tubes (B) and back over round tube (C).



A3. Loop strap around bed frame and pull tight as shown in **Figure 2**.

A4. Slide rail into pivot tube of frame as shown in **Figure 3a**.

A5. Slide safety latch up rail and rest on latch hook as shown in **Figure 3b**.

IF THE SMART-RAIL™ LEG EXTENDERS ARE REQUIRED, PLEASE REFER TO PAGE 4 FOR INSTALLATION INSTRUCTIONS.

A6. Adjust rail height to best suit needs within limits shown in **Figure 4**.

A7. With rail at correct height, turn set screw until safety latch is tight as shown in the inset in **Figure 4**.

A8. Install crutch tips (x2) onto rail as shown in **Figure 4**.

NOTE: Perform a final tighten and inspection of the strap and all fasteners.

Your Smart-Rail™ is now installed.

Figure 1.

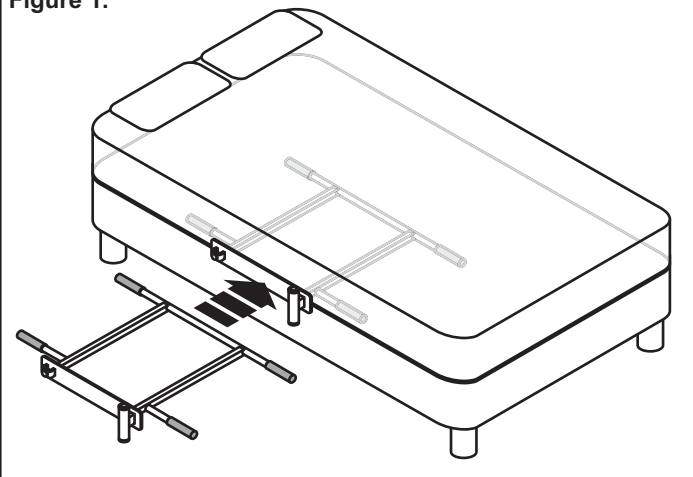


Figure 2.

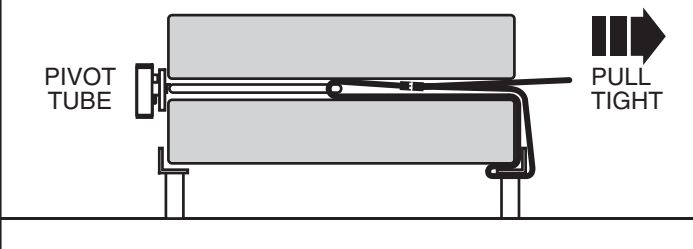


Figure 3a.

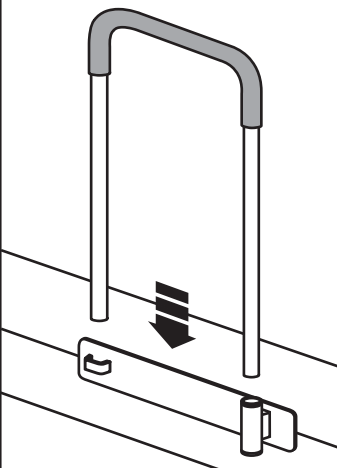


Figure 3b.

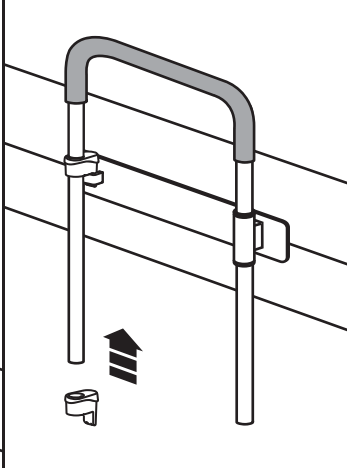
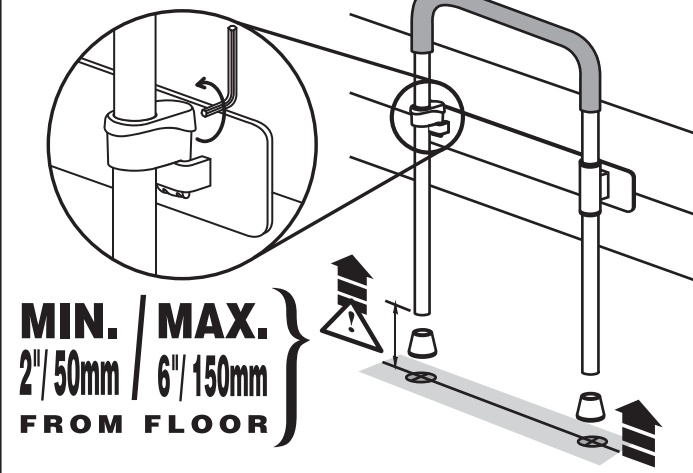
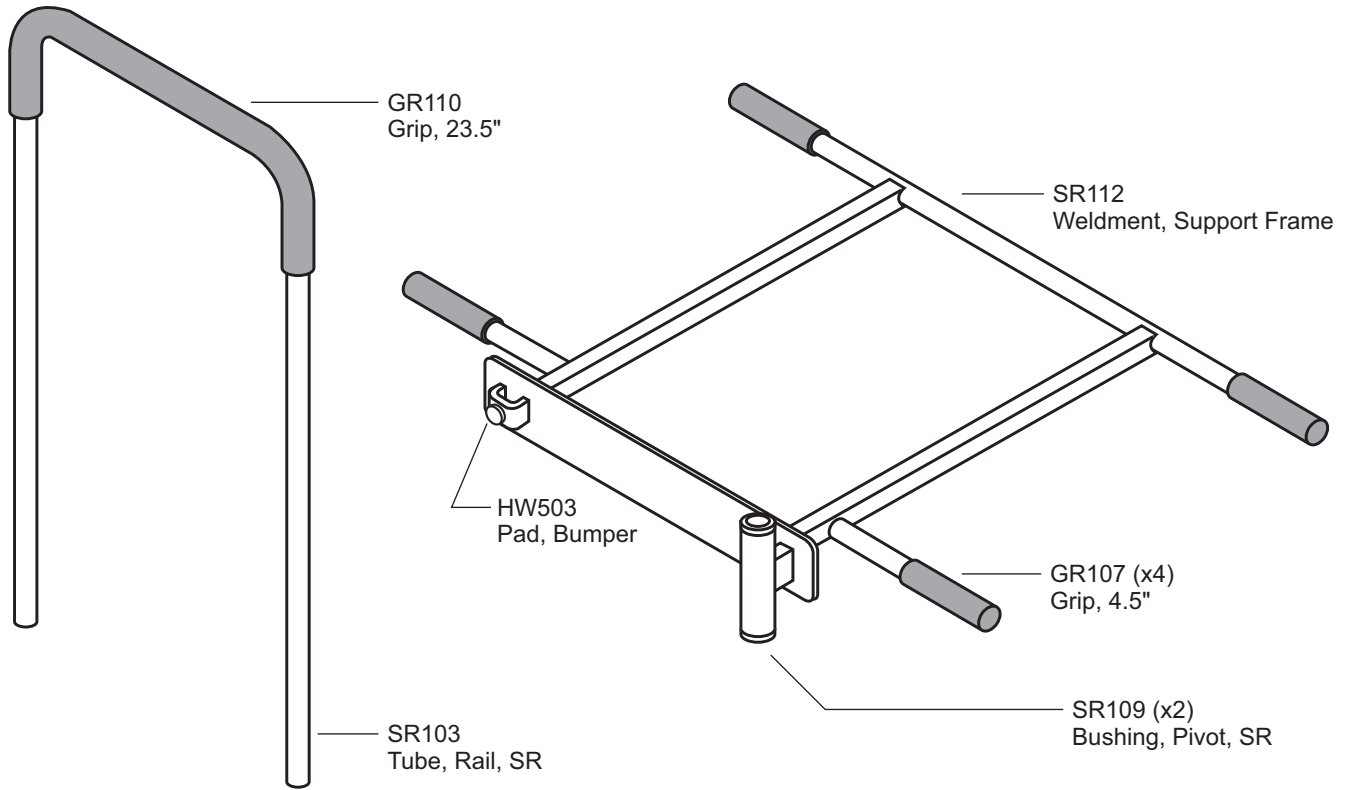


Figure 4.



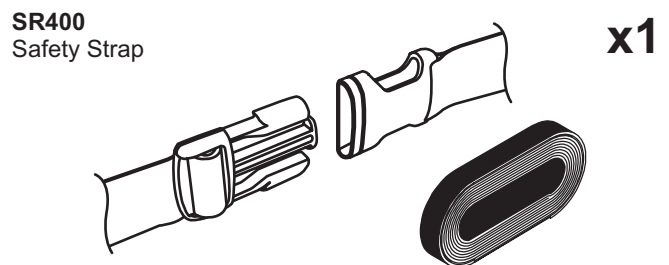
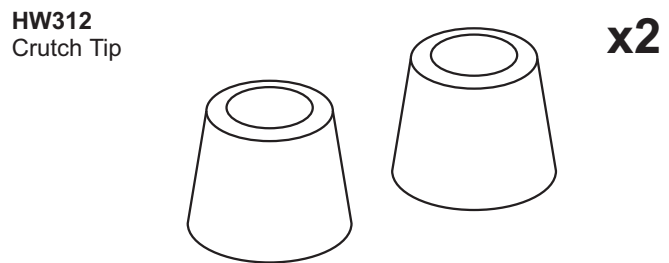
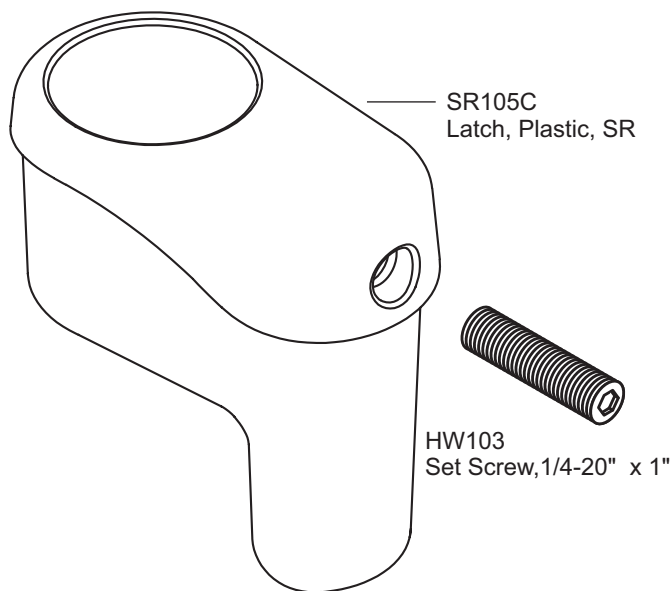
SR402: RAIL ASSEMBLY

SR403: SUPPORT FRAME ASSEMBLY



SR401C: SAFE LATCH ASSEMBLY

HARDWARE



SMART-RAIL™ LEG EXTENDERS INSTRUCTIONS

B1. Insert Leg Extender into the bottom of the rail as shown in **Figure 1**.

B2. With the rail at desired height, tighten the screw at the bottom of the Leg Extender with supplied hex key as shown in **Figure 2**. This will pull the taper plug into the extension tube, forcing the wings of the extension tube to flare outwards.

B3. Repeat the steps B1 to B2 for the other leg of the rail. Ensure both Leg Extenders are installed at the same height.

NOTE: Perform a final tightening of the fasteners. Test the installation by pushing downwards on the support rail and tighten if necessary.

Your Smart-Rail™ Leg Extenders are now installed. Continue with step A6 on Page 2 to finish the installation of your Smart-Rail™.

Figure 1.

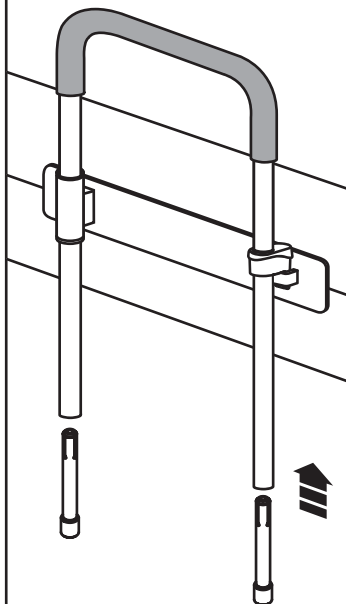
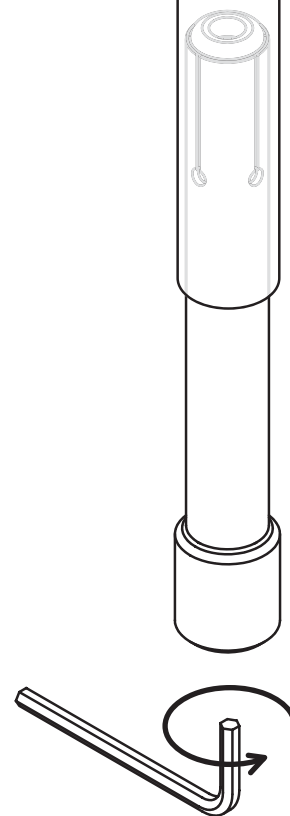


Figure 2.



SR405: SMART-RAIL™ LEG EXTENDERS

SR150
Extension Tube

x2



HW114
Screw, SHCS, 1/4-20 x 5"

x2



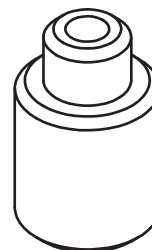
SR151
Taper Plug

x2



SR152
Stem, Base

x2



HARDWARE

HW321
Hex Key, 3/16", Short Arm

x1

