

## THANK YOU...

Thank you for purchasing the SuperTray™. We are confident that you will find the unique design and durable construction of this HealthCraft™ product to be of great assistance in your daily routine.

To fully enjoy your SuperTray™, please take a few moments to read these instructions. You should store these instructions in a safe place for future reference. Safety Considerations and Warranty information on SuperPole™ Instructions (DC100).

## SAFETY CONSIDERATIONS

**CAUTION:** It is your responsibility to see that your SuperPole™ System is properly assembled, installed, and cared for. Failure to follow instructions in this manual could result in serious injury.

### SUPERTRAY™ INSTALLATION / MAINTENANCE

The SuperTray™ should only be used on a HealthCraft SuperPole™ floor to ceiling pole. Recommended weight limit is 15lbs/7kg. Do not sit or lean on the SuperTray™ or injury may result. **DO NOT** adjust the height of the tray on the SuperPole™ when there are items on the tray. Remove any items from the tray prior to adjusting its height. **CLEANING** - The tray and tray support frame may be cleaned with a mild detergent and soft cloth.

## ASSEMBLY & INSTALLATIONS

The SuperTray™ simply snaps on to your SuperPole™ to provide the convenience of a bedside table. The SuperTray™ is easy to install, remove and adjust in height or position. It is a compact alternative to bulky floor based over bed tables.

**BEFORE STARTING:** Ensure that your SuperPole™ is free of grease, oil or dirt prior to installing your SuperTray™. The SuperTray™ relies on rubber friction to hold its place and it's performance may be affected by grease, oil or dirt on the pole.

1. Removing protective packaging from all items. Locate the bag containing the hex key (1) and flat head screws (2).

2. Secure the tray frame (3) to the support arm (4) using four of the flat head screws (2) and the allen wrench (1) to tighten the screws as shown in **Figure 1**.

3. Install the tray frame assembly (5) on to your SuperPole™ (8) by tilting the frame upward to allow the two c-hooks to engage onto opposite sides of the SuperPole™, as shown in **Figure 2a**. Lower the frame to a horizontal position making it lock in position on the SuperPole™ as shown in **Figure 2b**. You may need to apply a little downward pressure to make it "snap" onto the pole.

4. Place the rubber mat (6) onto the plastic tray (7) and place the tray onto the frame assembly (8) installed on the SuperPole™ as shown in **Figure 3b**. Your SuperTray™ is now installed.

### HEIGHT / POSITION ADJUSTMENT:

Remove all items from the tray prior to adjusting height. To adjust height, support the tray on both sides, lift up on the outer edge to unlock (A), slide the tray up or down (B), and lower to lock when in desired location as shown in **Figure 3b**. To change angle of the tray, simply lift slightly on the outer edge of the tray (A) and rotate to the desired location (B).

Figure 1.

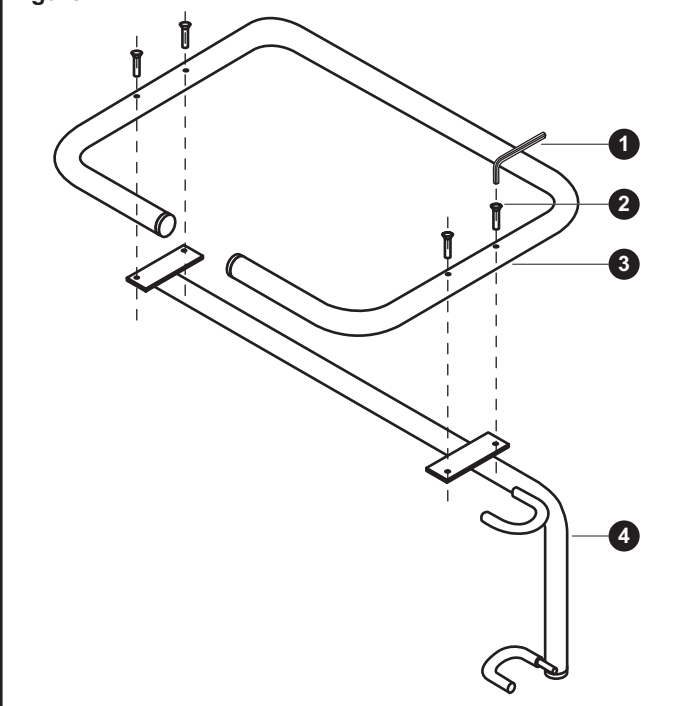


Figure 2a.

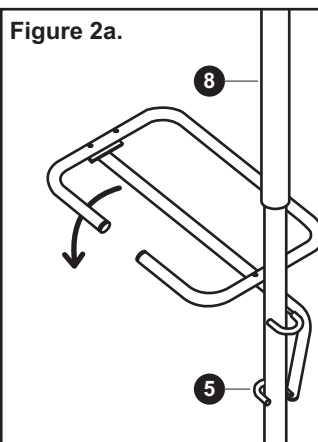


Figure 2b.

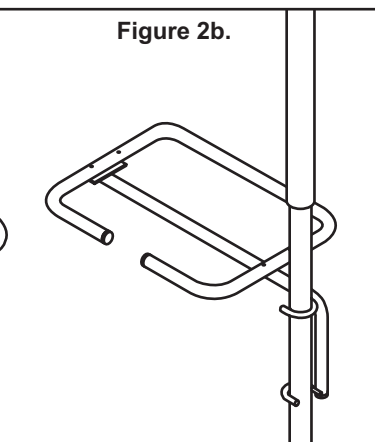


Figure 3a.

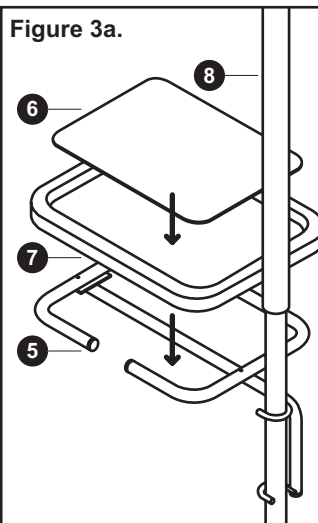
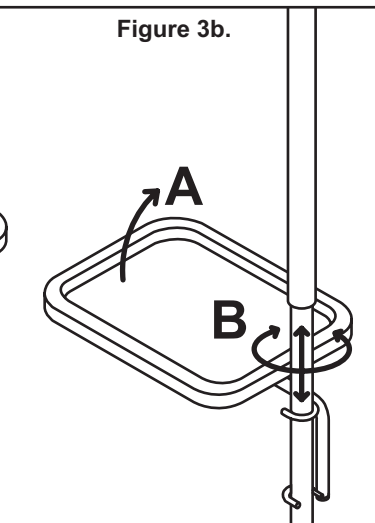


Figure 3b.



**SP-STI: SUPERPOLE™ WITH SUPERTRAY™**

**SP405: PLASTIC TRAY ASSEMBLY**

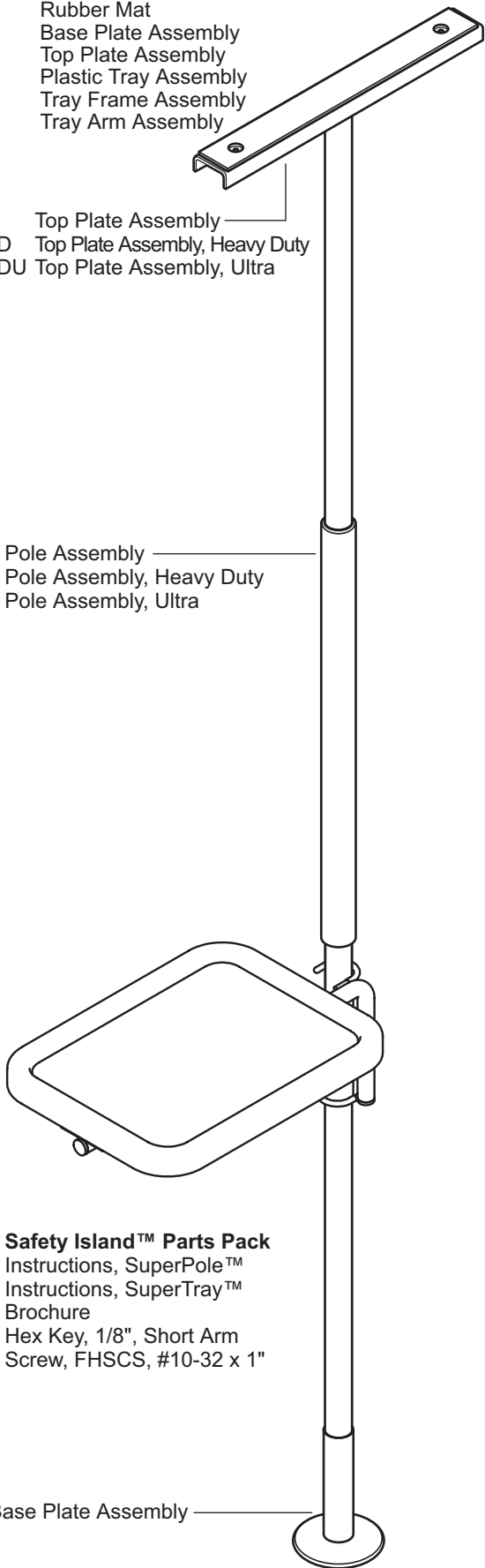
- SP-P Pole Assembly**
- SPT-BX SuperTray™ Parts Box**
- SP136 Rubber Mat
- SP402 Base Plate Assembly
- SP403 Top Plate Assembly
- SP405 Plastic Tray Assembly
- SP406 Tray Frame Assembly
- SP407 Tray Arm Assembly

- SP403 Top Plate Assembly
- SP403HD Top Plate Assembly, Heavy Duty
- SP403HDU Top Plate Assembly, Ultra

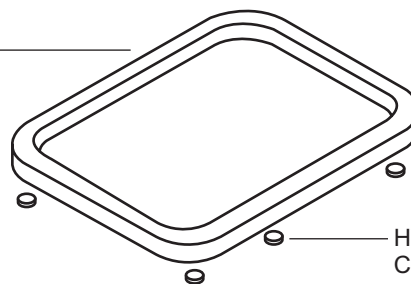
- SP-P Pole Assembly
- SP-PHD Pole Assembly, Heavy Duty
- SP-PU Pole Assembly, Ultra

- SP503 Safety Island™ Parts Pack**
- DC100 Instructions, SuperPole™
- DC102 Instructions, SuperTray™
- MK100 Brochure
- HW301 Hex Key, 1/8", Short Arm
- HW102 Screw, FHSCS, #10-32 x 1"

SP402 Base Plate Assembly



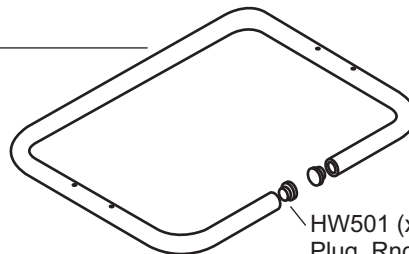
SP130 Plastic Tray



HW504 (x4) Clear Bumper

**SP406: TRAY FRAME ASSEMBLY**

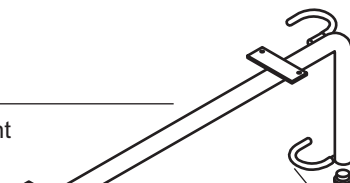
SP131 Tray Frame



HW501 (x2) Plug, Rnd, .875", Blk

**SP407: TRAY ARM ASSEMBLY**

SP135 Tray Arm Weldment

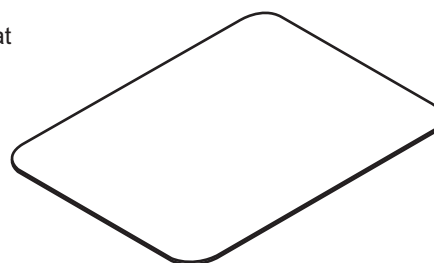


HW501 Plug, Rnd, .875", Blk

HW502 (x2) Rubber Cap

**HARDWARE**

**SP136**  
Rubber Mat



**HW102**  
Screw, FHSCS, #10-32 x 1"

**x4**



**HW301**  
Hex Key, 1/8", Short Arm

**x1**

