



SAFETY WARNINGS2-3

Please read SuperPole™ System Introduction carefully prior to proceeding with all product installations.



SUPERPOLE™ / SUPERPOLE™ BARIATRIC4-5
(SP-S / SP-HD)



SUPERPOLE™ with SUPERBAR™6-7
(SPB-S / SPB-HD / SPB-AK)



SUPERPOLE™ with SUPERTRAPEZE™8-9
(STP-S / STP-AK)



SUPERPOLE™ with SAFETY ISLAND™10-11
(SP-STI / SP-STI-HD / SP-STI-AK)



SUPERPOLE™ SOLUTIONS FOR CEILING CHALLENGES12

Ceiling Height Challenges:

For floor to ceiling ranges greater than 8 feet.

Ceiling Construction Challenges:

For Angled Ceilings and Large Joist Spacing.

THANK YOU...

Thank you for purchasing the SuperPole™ System. We are confident that you will find the unique design and durable construction of this HealthCraft™ product to be of great assistance in your daily routine.

To fully enjoy your SuperPole™ System, please take a few moments to read these instructions. You should store these instructions in a safe place for future reference.

WARRANTY

All HealthCraft™ Products are covered by a one year limited warranty with the exception of hand grips which are subject to normal wear. Buyer hereby indemnifies, agrees to hold harmless and defend HealthCraft™ Products Inc. from and against any and all liabilities, claims, (founded and unfounded), losses, damages, costs and expenses (including without limitation consequential damages and reasonable professional fees) resulting from buyers specification, application, or improper use of goods described hereon; buyers omission or neglect.

HealthCraft™ Products Inc. does not assume any liability for damage resulting from services performed by others or faulty installation, misuse or misapplication of goods sold by HealthCraft™ Products Inc.

HealthCraft™ Products Inc. shall not be liable for prospective profits or special, indirect, or consequential damages, or for the cost of any corrective work done without HealthCraft™ Products Inc. prior approval. HealthCraft™ Products Inc. total liability hereunder shall in no event exceed the purchase price of the goods specified hereon.

SAFETY CONSIDERATIONS

SUPERPOLE™ INSTALLATION / MAINTENANCE

The SuperPole™ System should only be used in locations where the floor and ceiling surfaces are structurally sound. It should not be installed on loose floor coverings, in rooms with radiant ceiling heating, or mobile homes. Not more than 150 lbs should be exerted on trapeze handle (sitting up assistance only). If you are not equipped to undertake the outlined work, we would recommend that you have your SuperPole™ System installed by a qualified contractor. The extension screw feature of the SuperPole™ System can generate enough force to damage a ceiling. Exercise caution when tightening this screw. The SuperPole™ System can loosen due to settling of the floor or ceiling, particularly in the first hours and days following installation and sometimes with a change of season. As a result, we recommend that you test that the pole is secure, and the extension screw tightened if needed during this time, and then on a monthly basis.

CAUTION: It is your responsibility to see that your SuperPole™ System is properly assembled, installed, and cared for. Failure to follow instructions in this manual could result in serious injury.

WARNING - PATIENT ENTRAPMENT!

The potential risk of entrapment (limb, neck, head, torso) between the pole and adjacent item (i.e. bed, toilet, etc.) can be reduced or avoided by the following strategies:

1. Situate the pole at a distance that is considerably smaller or larger than that which could result in entrapment.
2. Consider situations that could change with time or usage such as mattress compression, patient movement, bed position changes due to electrically powered beds, etc.
3. Realize that this product is not intended as a physical constraint or barrier to exiting the bed.

PRODUCT COMPATABILITY CHART

				ACCESSORIES (EACH SOLD SEPARATELY)							
FLOOR TO CEILING OPTIONS (EACH SOLD SEPARATELY)		USER WEIGHT CAPACITY	FLOOR TO CEILING RANGE	SUPERBAR™	SAFETY ISLAND™	SUPERTRAPEZE™	SUPERTRAY™	UNI-FIT EXTENDER™	CEILING PLATE EXTENDER™	ANGLED CEILING PLATE	
MODEL NUMBER	DESCRIPTION			✓	✓	✓	✓	✓	✓	✓	
SP-S	SuperPole™ Floor to ceiling support rail.	300lbs / 136kg	93-99" / 236-251cm	✓	✓	✓	✓	✓	✓		
SP-TS	SuperPole™ Traveller Portable pole separates into 2 sections.	300lbs / 136kg	93-99" / 236-251cm	✓	✓	✓	✓	✓	✓		
SP-HD	SuperPole™ Bariatric SuperPole™ with increased weight capacity.	450lbs / 205kg	93-99" / 236-251cm	✓	✓	x	✓	x	✓	x	
SP-UF	Uni-Fit Extender™ Extension tube attaches to SuperPole™.	300lbs / 136kg	100-120" / 254-305cm	✓	✓	x	✓	-	✓	✓	
SP-ULTRA	SuperPole™ Ultra Longer version of the SuperPole™.	300lbs / 136kg	121-140" / 307-356cm	x	x	x	✓	x	✓	x	
SP-CUSTOM	Custom Cut SuperPole™ Floor to ceiling measurements required.	300lbs / 136kg	Less than 93" / 236cm	✓	✓	✓	✓	x	✓	✓	
CEILING PLATE ACCESSORIES (EACH SOLD SEPARATELY)											
SP-CPE	Ceiling Plate Extender™ Longer plate (30"/76cm) spans wider ceiling joists (24"/61cm spacing).			✓	✓	✓	✓	✓	-	x	
SP-ACP	Angled Ceiling Plate Bolts to angled ceilings between 0-45°. Top plate diameter 18"/45cm.			✓	✓	x	✓	✓	x	-	
✓ = APPLICABLE X = CANNOT BE USED TOGETHER											

GETTING STARTED...

We strongly recommend that you give thought as to the optimal location of your SuperPole™ System before installation. The following questions may help you to decide upon a location:

- What motions will you be going through? (pulling up to standing, lowering to sitting, transferring from chair to toilet, etc.).
- Where will you need the most support? (while walking, while lifting, etc.)
- What is your strongest side/hand?
- What is your complete transfer path? Will the location allow for full support over most of your path of motion?
- Will the pole be far enough away to allow you to stand comfortably?

SUPERPOLE™ BARIATRIC (SP-HD)

For the SuperPole™ Bariatric, verify that both the pole and ceiling anchor plate are labelled with "Heavy Duty" stickers. Also note the following physical differences between the standard and bariatric models:

- Heavier gauge (thicker wall) pole
- Smaller diameter pole receptacle on top plate

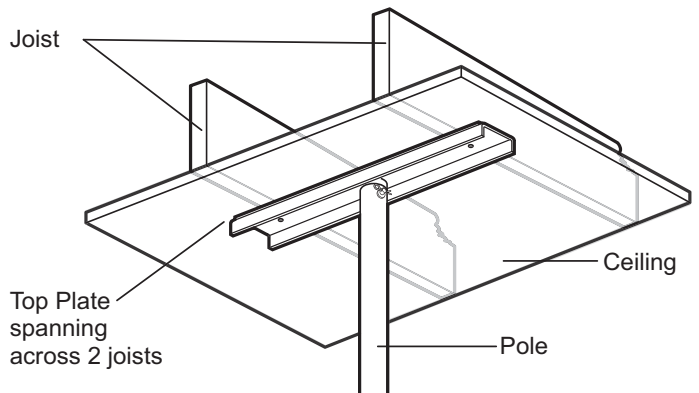
IMPORTANT: The top plate for the SuperPole™ Bariatric **MUST BE** secured to the ceiling using two fasteners which are appropriate to the ceiling material. At least one of the two fasteners should secure directly into a ceiling joist. These fasteners are intended to prevent the top plate from dislodging under heavy use.

STANDARD SUPREPOLE™ TOP PLATE

It is recommended that the top plate be installed to span across two joists in a ceiling as shown below. In cases where this may not be possible (i.e. one joist only), be sure to test the pole rigorously after installation to be certain of a secure installation.

IMPORTANT: The top plate has two holes that may be used to fix this plate directly to the ceiling or ceiling joists. It is strongly recommended to install screws to prevent slippage in the following situations:

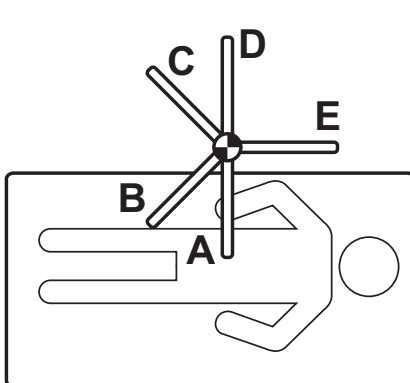
- If you expect to subject the pole to heavy usage (i.e. pole is used for more than mild support for side to side stability).
- If you are not able to inspect, or have inspected (and tighten if necessary) the extension screw on a monthly basis.



• Consider adding the optional Ceiling Plate Extender (SP-CPE) to the standard SuperPole™ ceiling plate to increase its span from 20" to 30". Ideal where ceiling joists have increased spacing (such as 24" between centers).

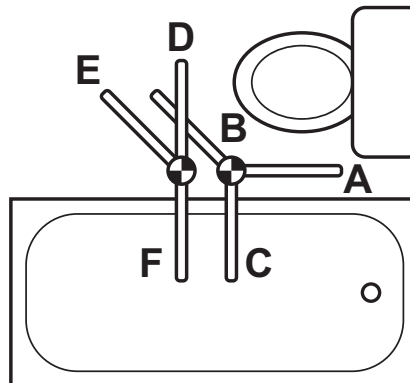
• Do not use on angled ceilings. Consider adding the Angled Ceiling Plate (see page 12) for this application.

SUPERPOLE™ PLACEMENT



BEDROOM

Locate pole adjacent to hip/belt line and as close to bed as possible while allowing clearance for bed coverings. If using SuperBar™ option, you will need to set the pivot locking positions of the bar. As a suggestion, positions A and E are good for moving in bed, B for pulling up to sitting, C for pulling up to standing and D for transferring out of bed.



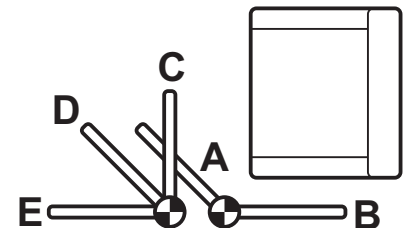
BATHROOM

TOILET and / or BATHTUB

Locate pole three to ten inches forward of the knees, and two to six inches to side of knees when seated.

BATHTUB ONLY

Locate pole base against tub, approximately half way along its length. If using SuperBar™ option, you will need to set the pivot locking positions of the bar. As a suggestion, positions B or D are suitable for standing from toilet, C and F for transferring into bathtub, E and D for transferring out of bathtub.



CHAIR

Locate pole three to ten inches forward of the knees, and two to six inches to side of knees when seated. If using SuperBar™ option, you will need to set the pivot locking positions of the bar. As a suggestion, positions A or C are suitable for standing assistance, while D and E are suitable for completing a transfer to a nearby walker or wheelchair. Position B provides side support if this is preferred for standing.

SUPERPOLE™ INSTALLATION INSTRUCTIONS

Prior to installing the SuperPole™, we strongly recommend that you first read through these instructions.

A1. Unpack the top plate (1) from the rectangular box, and the pole assembly (2) from the cardboard tube (remove staples to avoid scratching the paint on the pole).

A2. Remove the clevis pin (3) from the top plate (1).

A3. Align the locking pin holes of the pole and the top plate. Insert the clevis pin (3) removed in step A1, and secure with nylon washer (4) and cotter pin (5) as shown in **Figure 1**.

A4. To prepare, turn the extension screw (8) until the distance from the top plate (1) to the bottom of the extension screw is about two inches less than the actual floor to ceiling height as shown in **Figure 2a**. You may need to turn the jam nut (9) downward to allow the extension screw to rotate.

A5. Place the base plate (7) on the floor at the intended location of the pole. Move the pole into position as shown in **Figure 2b**. Insert the stem at the bottom of the extension screw (8) into the hole of the base plate (7) as shown in **Figure 2c**.

HINT - It is easier to swing the pole up from the side of the top plate as shown in **Figure 3**. If the top plate hits the ceiling prior to reaching vertical you will need to shorten the length of the extension screw.

A6. Set the pole to a true vertical position. This may be done using a construction level, plumb bob, or by visually comparing the pole with other vertical line features in the room such as wall corners, etc.

A7. While the cover sleeve (6) is held up, insert a bar such as the shaft of a screwdriver, through the drive hole at the bottom of the extension screw. Turn the extension screw (Clockwise - CW) as shown in step 1 of **Figure 4** to make the top plate contact the ceiling. Continue turning the extension screw approximately two to five turns until the pole is secure and ready for testing in step A8.

NOTE: The top plate must contact the ceiling squarely. This can be facilitated by having a second person hold the pole vertical while another turns the extension screw.

A8. Test the pole by firmly holding it at mid-height and vigorously attempting to force the pole from side to side. Use considerable body weight momentum to conduct an aggressive test. If either the base, or the top plate appear to slide or shift, reset the pole to vertical, tighten the extension screw up to one more turn and repeat the test until the pole will not move during this test.

A9. Turn jam nut (9) counter clockwise (CCW) to make contact with the bottom of the pole as shown in step 2 of **Figure 4**.

A10. Lock the extension screw by simultaneously turning jam nut (9) and extension screw (8) counterclockwise until jammed tight (as shown in step 3 of **Figure 4**). When finally tight, remove the turning rod.

A11. Slide the cover sleeve (6) down to cover the extension screw.

Your SuperPole™ installation is now complete.

Figure 1.

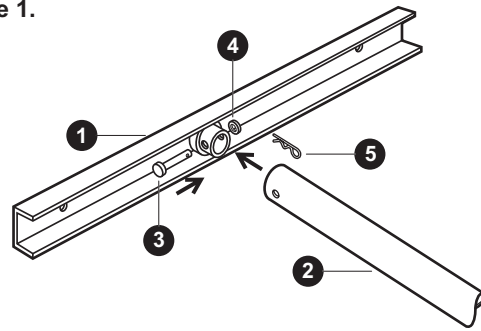


Figure 2a.

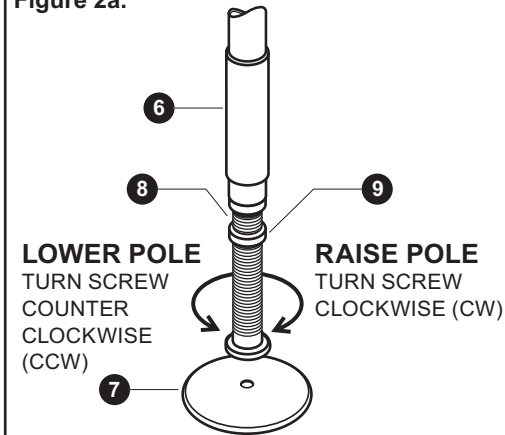


Figure 2b.

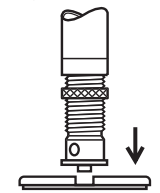


Figure 2c.

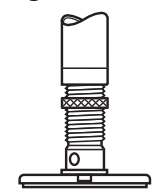


Figure 3.

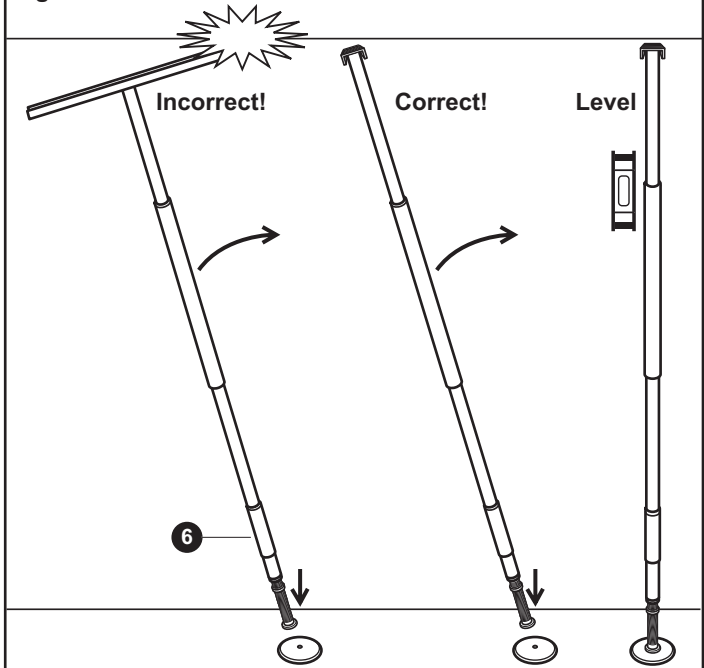
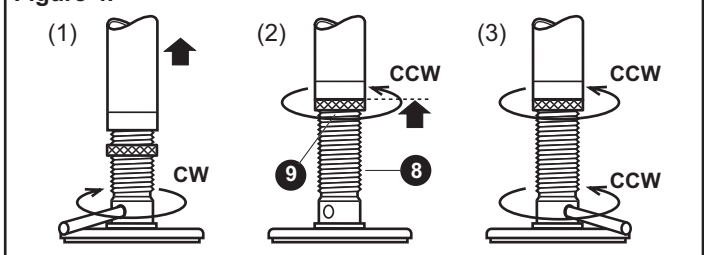


Figure 4.



SP-P: SUPERPOLE™

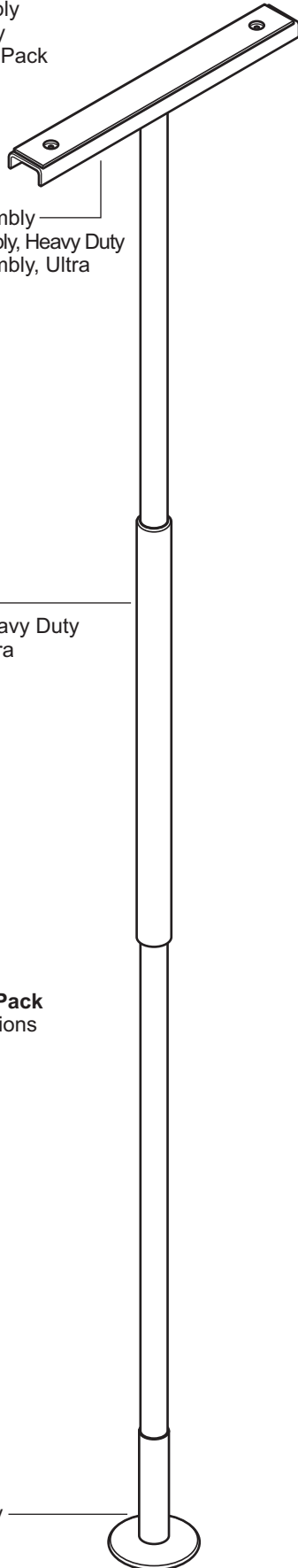
- SP-P Pole Assembly**
- SP-BX Pole Parts Box**
- SP402 Base Plate Assembly
- SP403 Top Plate Assembly
- SP500 SuperPole™ Parts Pack

- SP403 Top Plate Assembly
- SP403HD Top Plate Assembly, Heavy Duty
- SP403HDU Top Plate Assembly, Ultra

- SP-P Pole Assembly
- SP-PHD Pole Assembly, Heavy Duty
- SP-PU Pole Assembly, Ultra

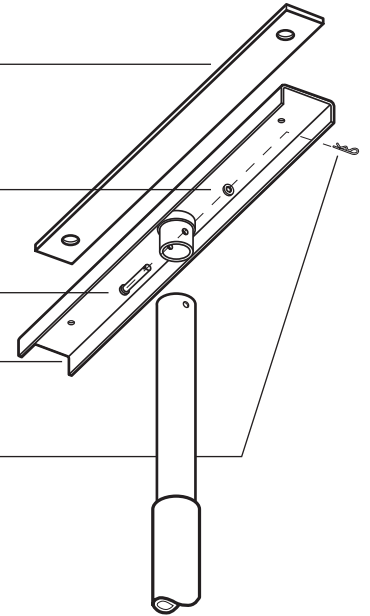
- SP500 SuperPole™ Parts Pack**
- DC100 SuperPole™ Instructions
- MK100 Brochure

- SP402 Base Plate Assembly



SP403 / HD / HDU: TOP PLATE ASSEMBLY

- SP117 Top Rubber
- HW318 Nylon Washer
- HW302 Clevis Pin
- SP115 / HD / HDU Top Plate / Heavy Duty / Ultra
- HW323 Cotter Pin



SP-P / HD / HDU: POLE ASSEMBLY

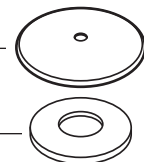
- SP400 Pole with Grip**
- SP113 / HD / HDU Pole / Heavy Duty / Ultra
- GR101 Grip, 20" Length

- SP114 Plastic Cover Sleeve
- SP105 Threaded Collar
- SP105HD Threaded Collar, Heavy Duty
- SP105HDU Threaded Collar, Ultra
- SP172 Jam Nut
- SP107 Extension Screw
- SP145 Plastic Washer



SP402: BASE PLATE ASSEMBLY

- SP112 Base Plate
- SP118 Base Plate Rubber



SUPERBAR™ INSTALLATION INSTRUCTIONS

Prior to installing the SuperPole™ with SuperBar™, we recommend that you first read through these instructions.

B1. Complete steps A1 to A3 on page 4, and then continue with step B2.

B2. Remove the cover sleeve (6) from the pole assembly (2).

B3. Unpack the contents of the SuperBar™ parts box.

B4. Using the small hex key wrench (11) and a countersunk screw (12), attach one white plastic pivot bushing (13) to the T-bar assembly as shown in **Figure 5**. Set aside the other plastic pivot bushing and screw.

B5. Slide the spring collar (17) upwards on the castellated collar (14) assembly to gain access to the set screws as shown in **Figure 8a**.

B6. Remove the three set screws (15) from the castellated collar (14) using the large hex key wrench (16) as shown in **Figure 8a**.

B7. Slide the items (in order below and as shown in **Figure 6**) onto the pole as straight as possible to avoid scratching the pole: pivot bushing (13) bolted inside T-bar assembly (10), spring collar (17) with castellated collar (14), pivot bushing (13) and cover sleeve (6) removed in step B2.

B8. The SuperPole™ installation must be completed before continuing with the SuperBar™ installation. Complete steps A4 to A10 on page 4, and then continue with step B9.

B9. Determine the desired height and locking positions of the SuperBar™ as shown in **Figure 7**.

Height of T-bar: The height at which the castellated collar is secured will determine the T-bar assembly height. Consider the optimal height (H) of the bar from sitting and standing positions.

Rotational Locking Positions of T-bar: Each groove on the castellated collar corresponds to a rotational locking position for the T-bar assembly. Fix the grooves to have the T-bar assembly lock where required as discussed on page 3 ("Getting Started").

We recommend a placement test (lightly installing only one set screw) to hold the castellated collar in place to verify the settings are suitable. With this one screw in place, lower the T-bar assembly onto the castellated collar, gently engage the lock and verify if the bar is in the correct location.

ENSURE HEIGHT / ORIENTATION OF CASTELLATED COLLAR IS CORRECT BEFORE PROCEEDING.

B10. With the castellated collar (14) in the desired location, insert and tighten the three set screws (15) with the larger hex key wrench (16) as shown in **Figure 8a**. When tightening, the cone points of the set screws will penetrate the pole (leaving permanent indentations) as shown in **Figure 8b**. **The set screws MUST be tightened until the back end of the screw is flush with the collar** or injury may result.

- Should you need to change the position of the height/angle setting, we recommend that you change the height by at least one inch. This will avoid set screw indentations from being too close to each other, thereby weakening the pole.

- For the SuperPole™ Bariatric, you may notice it requires a great deal of effort to screw in these fasteners. This is due to the thicker gauge of steel used to make the pole.

B11. Slide the spring collar (17) downward on the castellated collar (14) as shown in **Figure 8a** to retain set screws (15) while in service. Inspect frequently to ensure screws and collar are tight.

B12. Lower the T-bar assembly onto the castellated collar and install the remaining white plastic pivot bushing (13), securing it with the countersunk screw (12) using the small hex key wrench (11).

Your SuperPole™ with SuperBar™ installation is now complete.

Figure 5.

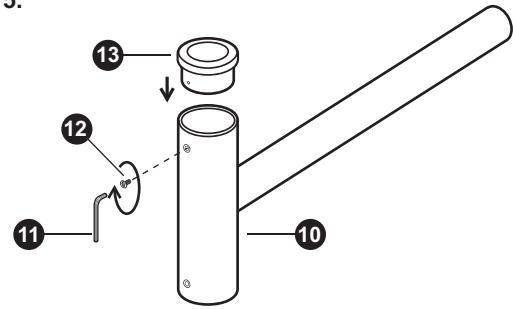


Figure 6.

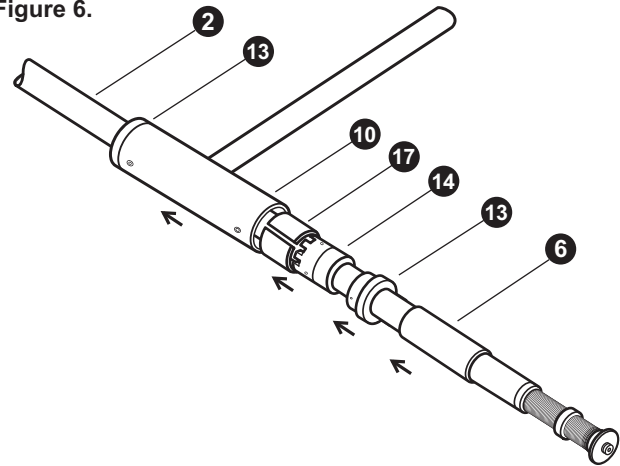


Figure 7.

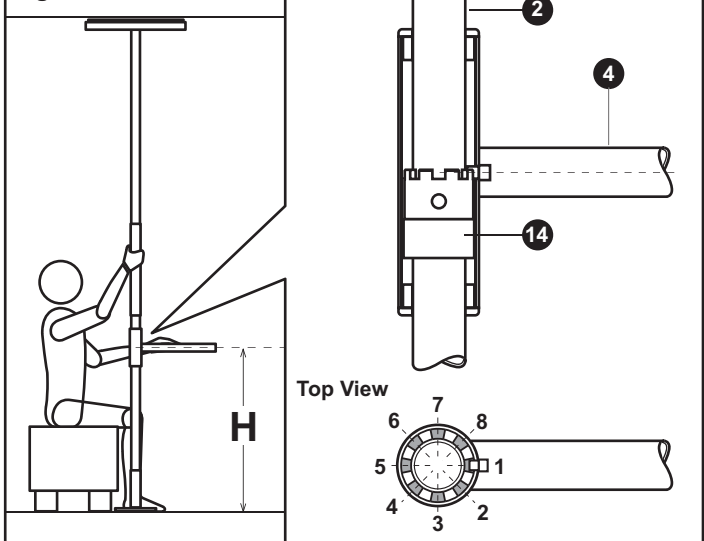


Figure 8a.

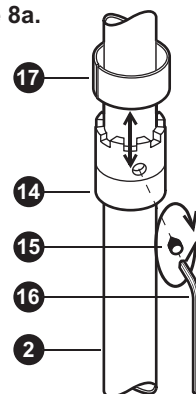
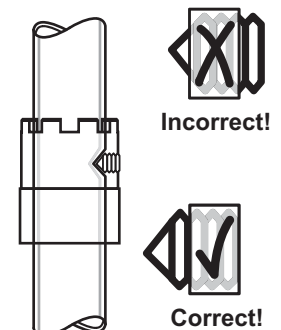


Figure 8b.



- SP-P Pole Assembly**
SPB-BX SuperBar™ Parts Box
 SP402 Base Plate Assembly
 SP403 Top Plate Assembly
 SP404 SuperBar™ Assembly
 SP411 Castellated Collar Assembly
 SP501 SuperBar™ Parts Pack

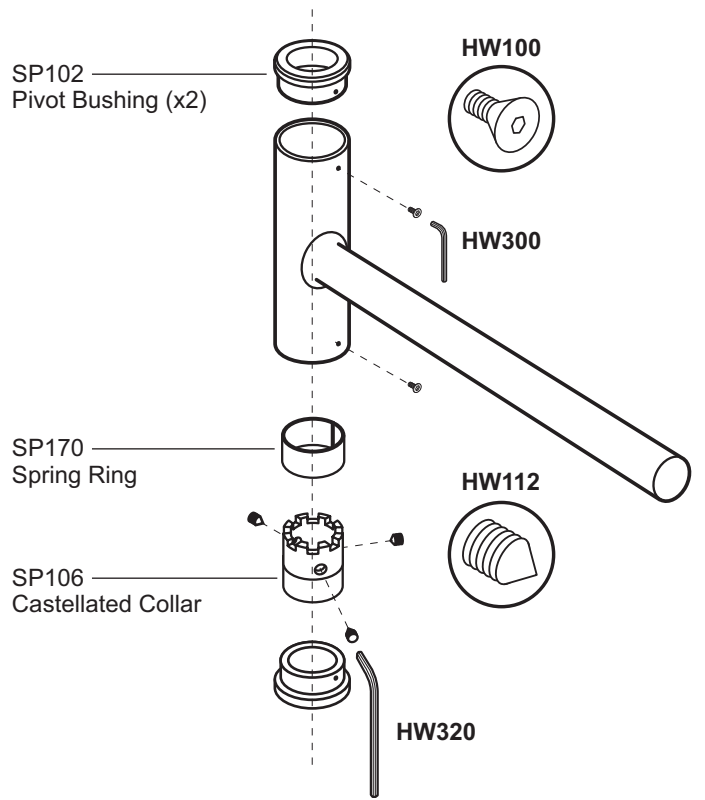
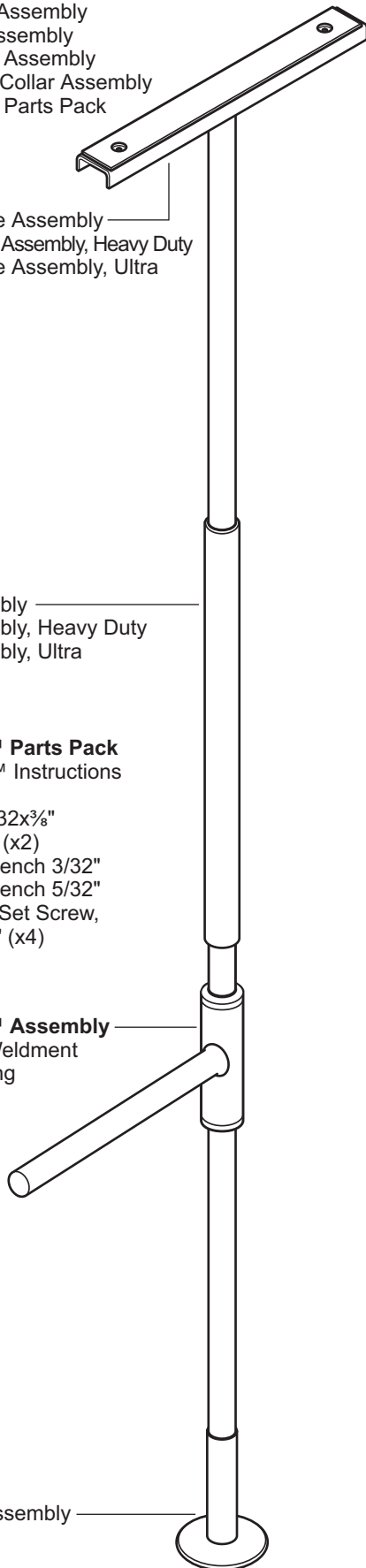
- SP403 Top Plate Assembly
 SP403HD Top Plate Assembly, Heavy Duty
 SP403HDU Top Plate Assembly, Ultra

- SP-P Pole Assembly
 SP-PHD Pole Assembly, Heavy Duty
 SP-PU Pole Assembly, Ultra

- SP501 SuperBar™ Parts Pack**
 DC100 SuperPole™ Instructions
 MK100 Brochure
 HW 100 FHSCS #8-32x3/8"
 S/S Screws (x2)
 HW 300 Hex Key Wrench 3/32"
 HW 320 Hex Key Wrench 5/32"
 HW 112 Cone Point Set Screw,
 5/16"-24x3/8" (x4)

- SP404 SuperBar™ Assembly**
 SP116 SuperBar Weldment
 GR100 Grip, 16" long

SP402 Base Plate Assembly



HARDWARE

HW100
 Set Screw, FHSCS, #8-32 x .375", S/S **x2**

HW112
 Set Screw, Cone Point, 5/16"-24x3/8" **x3**

HW300
 Hex-Key, 3/32", Short Arm **x1**

HW320
 Hex-Key, 5/32", Long Arm **x1**

*not to scale

SUPERTRAPEZE™ INSTALLATION INSTRUCTIONS

Prior to installing the SuperPole™ with SuperTrapeze™, we recommend that you first read through these instructions.

C1. Complete step A1 to A2 on page 4, and then continue with step **C2**.

C2. Unpack the contents of the SuperTrapeze™ parts box.

C3. Slide the support arm (20) onto the top of the pole with the strap hook facing towards the grip (21) as shown in **Figure 9**. Rest the support arm against the top of the grip.

C4. The SuperPole™ installation must be completed before continuing with the SuperTrapeze™ installation. Complete steps A3 through A11 on page 4, then continue with step **C5**.

• See pages 2-3 for recommendations on “SuperPole™ Placement” and “Patient Entrapment Warnings”.

C5. Hold the trapeze handle under the support arm, such that the shorter rail (23) of the handle is closest to the head of the bed as shown in **Figure 10**.

C6. Facing the foot of the bed, rotate the strap 180 degrees (away from the rail), open the loop on the end of the strap (22), and slide it on to the shorter rail (23) of the trapeze handle as shown in **Figure 11**. Slide it past the grip and along the trapeze tube until it reaches the top bend of the trapeze. The handle will now be hanging as shown in **Figure 10**.

C7. Have the user lie on the bed and place their hands palm down on their thighs. Rotate the support arm around the pole until the trapeze handle hangs directly above the user's hands.

C8. Slide the spring collar (17) upwards on the support arm (14) assembly to gain access to the threaded holes (x3).

C9. Raise the support arm (20) straight up the pole. We recommend the top of the support arm be installed approx. 84" from the floor. Have someone hold it here for a test, or lightly install one set screw to hold the support arm in place.

C10. Set the trapeze handle to the proper height by adjusting the length of the strap. When adjusted properly, the users fingers should be able to comfortably grasp around the bottom rail of the trapeze handle when lying down on the bed, as shown in **Figure 10**.

TEST: Have the user go through the motions of sitting up in bed (as the support arm is not completely installed, do not exert full weight on trapeze handle). If the trapeze handle is too close or too far away for suitable support, remove the set screw, turn the arm to a better location, and reinstall the set screw. Gently retry the trapeze again, and repeat until the user is satisfied.

ENSURE HEIGHT / ORIENTATION OF SUPPORT ARM IS CORRECT BEFORE PROCEEDING.

C11. With the support arm (20) in the desired location, tighten the three set screws (25) with the hex key wrench (24) as shown in **Figure 12a**. When tightening, the cone points of the set screws will penetrate the pole (leaving permanent indentations) as shown in **Figure 12b**. **The set screws MUST be tightened until the back end of the screw is flush with the collar or injury may result.**

• Should you need to change the position of the height/angle setting, we recommend that you change the height by at least one inch. This will avoid set screw indentations from being too close to each other and thereby weakening the pole.

C12. Slide the spring collar (26) down over the screws, as shown in **Figure 12a**. Failure do so may result in injury.

Your SuperPole™ with SuperTrapeze™ installation is now complete.

Figure 9.

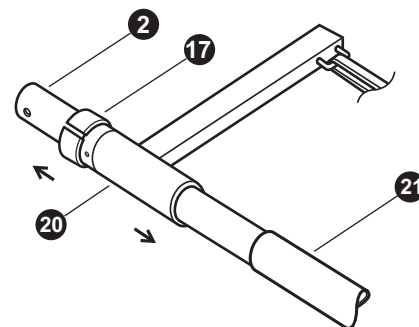


Figure 10.

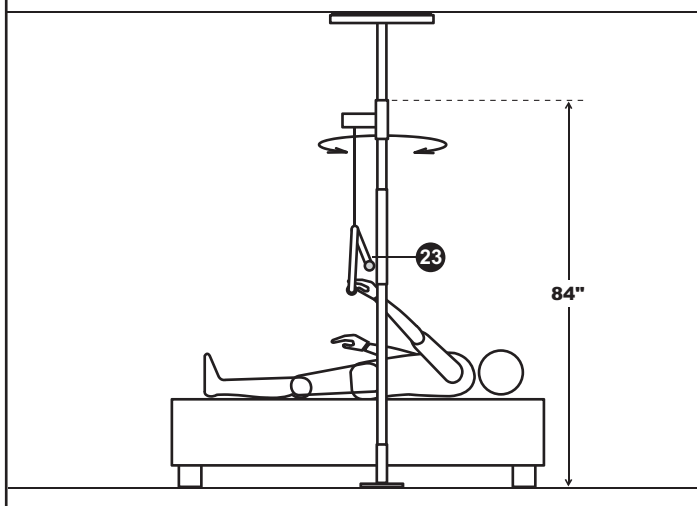


Figure 11.

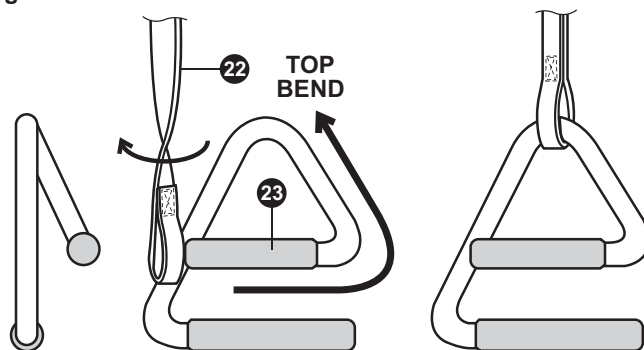


Figure 12a.

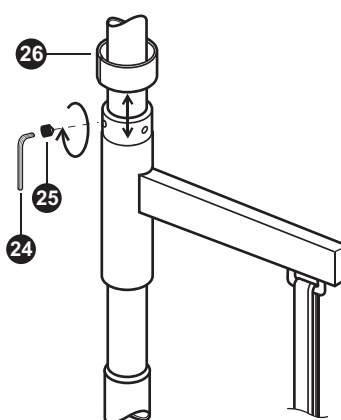
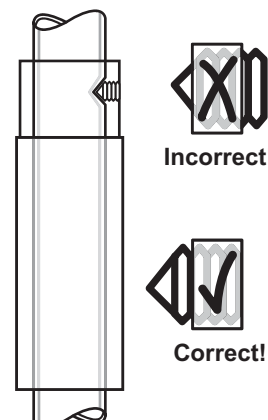


Figure 12b.



- SP-P Pole Assembly**
- STP-BX SuperTrapeze™ Parts Box**
- SP402 Base Plate Assembly
- SP403 Top Plate Assembly
- SP408 Trapeze Arm Assembly
- SP409 Trapeze Handle Assembly
- SP505 SuperTrapeze™ Parts Pack

SP403 Top Plate Assembly

SP408 Trapeze Arm Assembly

- SP123 Trapeze Arm
- SP170 Spring Ring
- HW500 Plug
- SP125 Strap
- HW305 Buckle

SP409 Trapeze Handle Assembly

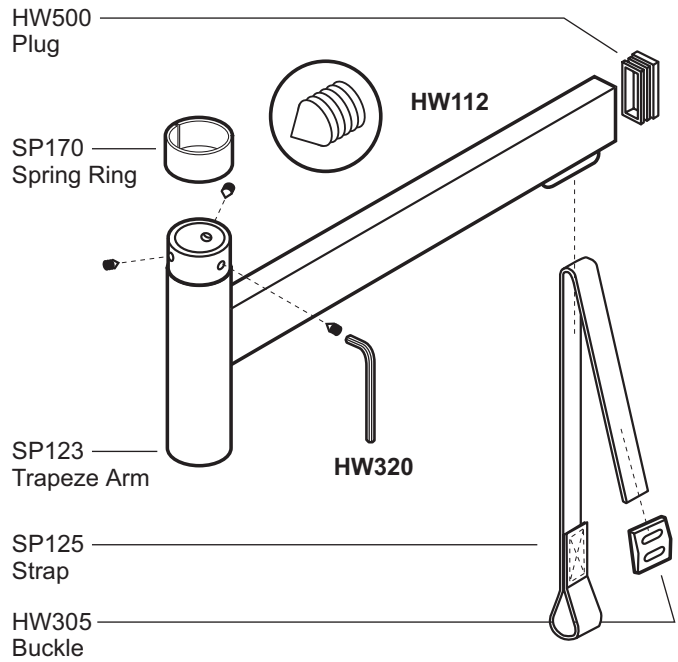
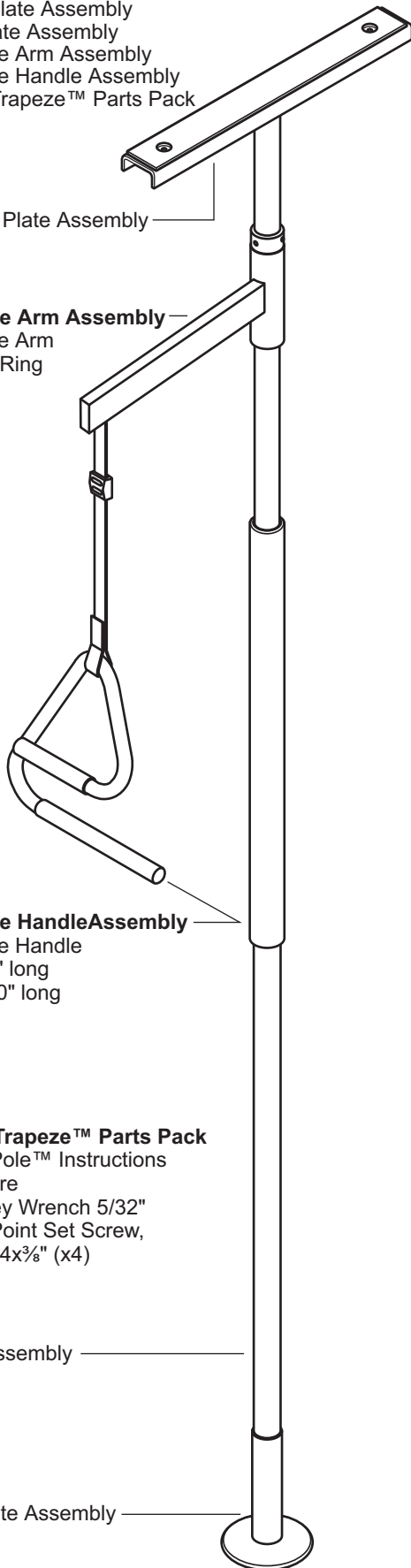
- SP124 Trapeze Handle
- GR102 Grip, 6" long
- GR103 Grip, 10" long

SP505 SuperTrapeze™ Parts Pack

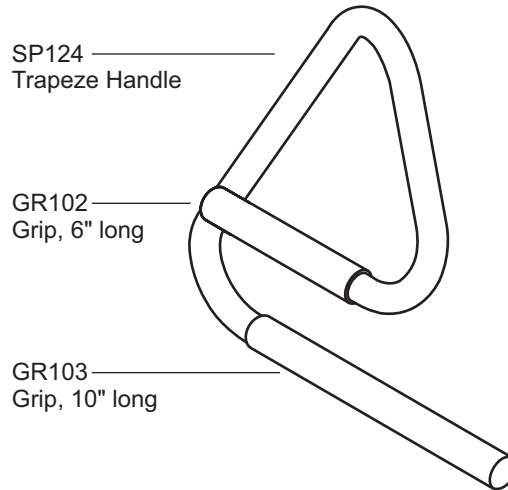
- DC100 SuperPole™ Instructions
- MK100 Brochure
- HW 320 Hex Key Wrench 5/32"
- HW 112 Cone Point Set Screw, 5/16"-24x3/8" (x4)

SP-P Pole Assembly

SP402 Base Plate Assembly

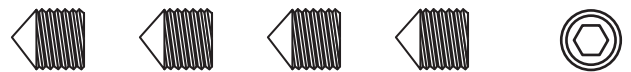


SP409: TRAPEZE HANDLE



HARDWARE

HW112
Set Screw, Cone Point, 5/16"-24x3/8" **x4**



HW320
Hex-Key, 5/32", Long Arm **x1**



*not to scale

SUPERBAR™ INSTALLATION INSTRUCTIONS

Prior to installing the SuperPole™ with Safety Island™, we recommend that you first read through these instructions.

D1. Complete steps A1 to A3 on page 4, and then continue with step D2.

D2. Remove the cover sleeve (6) from the pole assembly (2).

D3. Unpack the contents of the Safety Island™ parts box.

D4. Slide the items (in order below and as shown in **Figure 13**) onto the pole as straight as possible to avoid scratching the pole: Safety Island™ assembly (27) and cover sleeve (6) removed in step D2.

D5. The SuperPole™ installation must be completed before continuing with the Safety Island™ installation. Complete steps A4 to A11 on page 4, and then continue with step D6.

D6. Determine the desired height of the Safety Island™ as shown in **Figure 14**. It is recommended that the tubular ring of the Safety Island™ is approximately 28-36" from the floor (this height is determined by the height of the user - consult your therapist). Consider the optimal height of the Safety Island™ from sitting and standing positions.

D7. Slide the spring collar (30) downwards on the Safety Island™ assembly (27) to gain access to the threaded holes (x3) as shown in **Figure 15**.

We recommend a placement test. Have someone hold it, or lightly install one set screw to hold the support arm in place. Gently test and adjust until satisfied.

BE CERTAIN THAT THE SAFETY ISLAND™ IS AT THE CORRECT HEIGHT BEFORE PROCEEDING.

D8. Fasten the Safety Island™ assembly (27) to the pole by installing and tightening the three set screws (28) with the provided hex key wrench (29) as shown in **Figure 15**. When tightening, the cone points of the set screws will penetrate the pole (leaving permanent indentations) as shown in **Figure 16**. **The set screws MUST be tightened until the back end of the screw is flush with the collar** or injury may result.

- Should you need to change the position of the height/angle setting, we recommend that you change the height by at least one inch. This will avoid set screw indentations from being too close to each other and thereby weakening the pole.

- For the SuperPole™ Bariatric, you may notice it requires a great deal of effort to screw in these fasteners. This is due to the thicker gauge of steel used to make the pole.

D9. Slide the spring collar (30) upward on the Safety Island™ as shown in **Figure 15** to retain set screws (28) while in service. Inspect frequently to ensure screws and collar are tight.

Your SuperPole™ with Safety Island™ installation is now complete.

Figure 13.

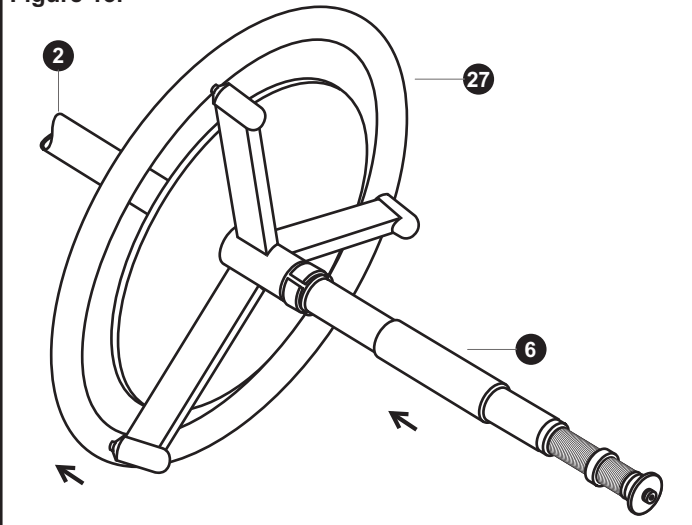


Figure 14.

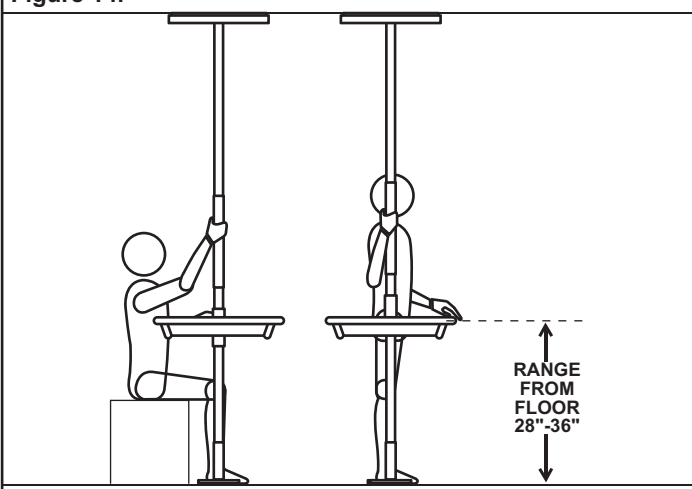


Figure 15.

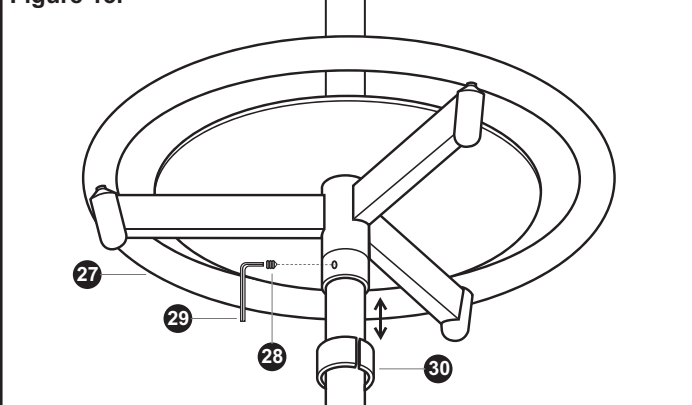
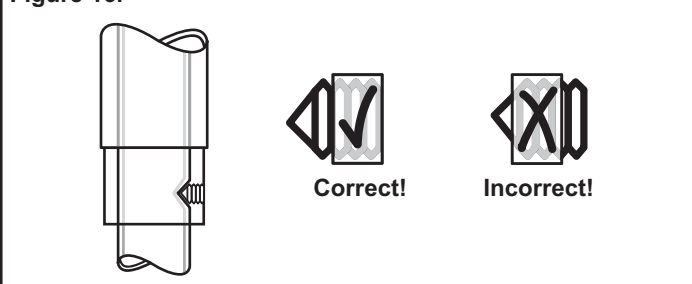


Figure 16.



SP-P Pole Assembly
SP-STI-BX SuperTrapeze™ Parts Box
 SP402 Base Plate Assembly
 SP403 Top Plate Assembly
 SI121 Safety Island Assembly

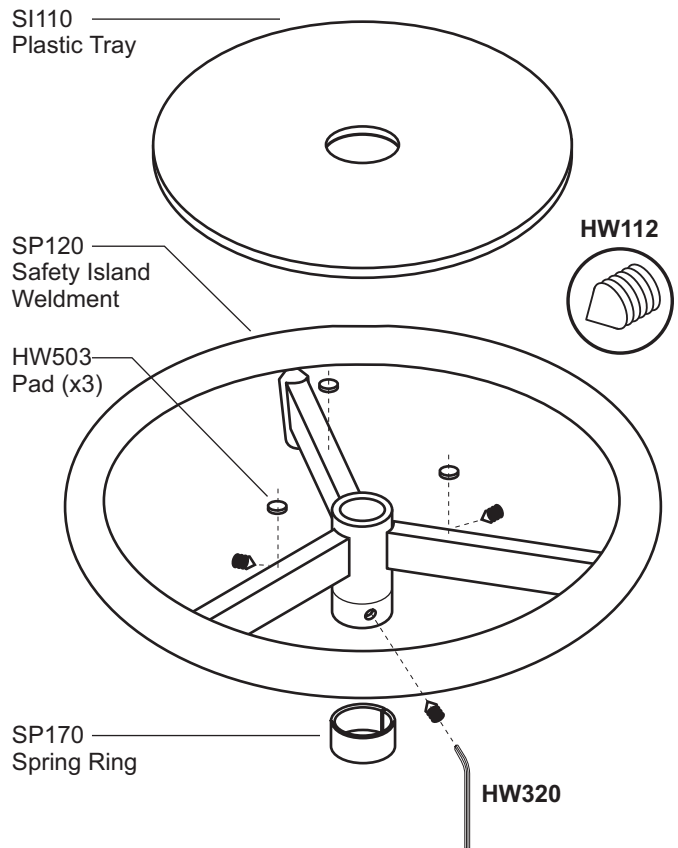
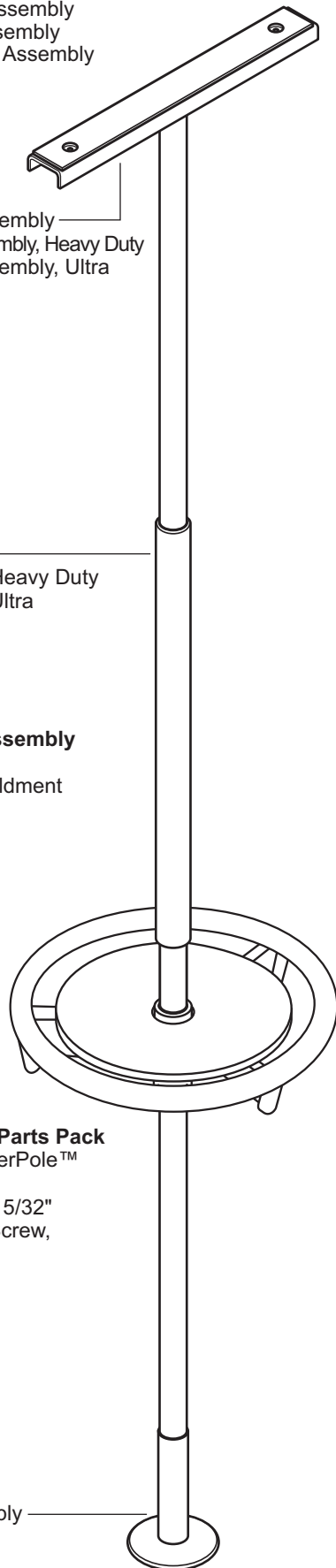
SP403 Top Plate Assembly
 SP403HD Top Plate Assembly, Heavy Duty
 SP403HDU Top Plate Assembly, Ultra

SP-P Pole Assembly
 SP-PHD Pole Assembly, Heavy Duty
 SP-PU Pole Assembly, Ultra

SI121 Safety Island Assembly
 SI110 Plastic Tray
 SI120 Safety Island Weldment
 SP170 Spring Ring

SP501 Safety Island™ Parts Pack
 DC100 Instructions, SuperPole™
 MK100 Brochure
 HW320 Hex Key Wrench 5/32"
 HW112 Cone Point Set Screw, 5/16"-24x3/8" (x4)

SP402 Base Plate Assembly



HARDWARE

HW112
 Set Screw, Cone Point, 5/16"-24x3/8" **x4**



HW320
 Hex-Key, 5/32", Long Arm **x1**



*not to scale

Solutions for Ceiling Height Challenges

<p>Structural Ceiling</p> <p>SuperPole™ (90"/229cm)</p> <p>Floor to Ceiling Range: 93-99" / 236-251cm</p>	<p>Structural Ceiling</p> <p>Uni-Fit Extender™</p> <p>SuperPole™ (90"/229cm)</p> <p>Floor to Ceiling Range: 100-120" / 254-305cm</p>	<p>Structural Ceiling</p> <p>Ultra SuperPole™ (103"/262cm)</p> <p>Custom cut Extension Tube</p> <p>Floor to Ceiling Range: 121-140" / 307-356cm</p>
<p>SuperPole™</p> <p>A floor to ceiling pole that expands between the floor and ceiling (up to 8 feet) to create unparalleled sturdiness and reliability.</p>	<p>Uni-Fit Extender™</p> <p>An extension tube that mounts to the top of the SuperPole™ to increase the floor to ceiling range up to 10 feet.</p>	<p>SuperPole™ Ultra</p> <p>A longer SuperPole™ used with a custom cut extension tube to increase the floor to ceiling range up to 11.5 feet.</p>

Solutions for Ceiling Construction Challenges

<p>Structural Ceiling</p> <p>* REQUIRED FOR ANGLED CEILINGS</p>	<p>Joist</p> <p>24"</p> <p>Ceiling</p> <p>Ceiling Plate Extender™</p> <p>Standard Top Plate</p> <p>Pole</p>
<p>Angled Ceiling Plate</p> <p>A circular top plate that replaces the standard top plate to allow a SuperPole™ to be installed in rooms with angled ceilings. Adjustable from 0-45 degrees. Screws into the ceiling.</p>	<p>Ceiling Plate Extender™</p> <p>An extension plate that increases the span of the standard SuperPole™ top plate from 20" to 30". Ideal where ceiling joists have increased spacing (such as 24" between centers).</p>